

4

3

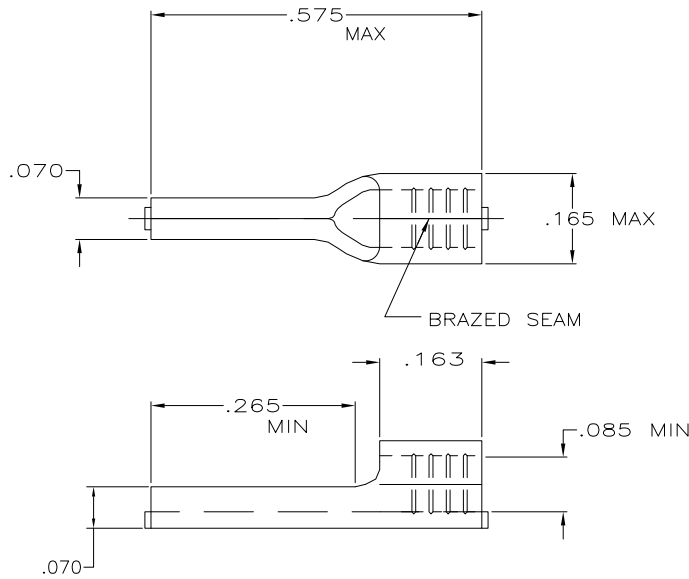
2

1

THIS DRAWING IS UNPUBLISHED. RELEASED FOR PUBLICATION
 © COPYRIGHT - BY TYCO ELECTRONICS CORPORATION. ALL RIGHTS RESERVED.

LOC	DIST	REVISIONS			
P	LTR	DESCRIPTION	DATE	DWN	APVD
G	86				
		E	REV PER ECR 10-007446	09AUG10	JR TM

AMP
 WIRE RANGE
 16-14 AWG
 SOLID OR STRANDED



165045
 PART NO

THIS DRAWING IS A CONTROLLED DOCUMENT.		DWN	JR RUTH	01JUN07	Tyco Electronics Corporation Harrisburg, PA 17105-3608	
DIMENSIONS:		CHK	M SPICER	01JUN07	NAME	
TOLERANCES UNLESS OTHERWISE SPECIFIED:		APVD	M SPICER	01JUN07	PRODUCT SPEC	
0 PLC ± -		APPLICATION SPEC		TERMINAL, WIRE PIN, SOLISTRAND, WIRE SIZE, 16-14 AWG		
1 PLC ± -		WEIGHT		SIZE	CAGE CODE	DRAWING NO
2 PLC ± -		FINISH		A3	00779	C-165045
3 PLC ± .008		MATERIAL		RESTRICTED TO		
4 PLC ± -		COPPER PER ASTM B152		-		
ANGLES ± -		FINISH		SCALE		
TIN PLATE PER ASTM B545		CUSTOMER DRAWING		6:1		
				SHEET 1 OF 1		
				REV E		