

4

3

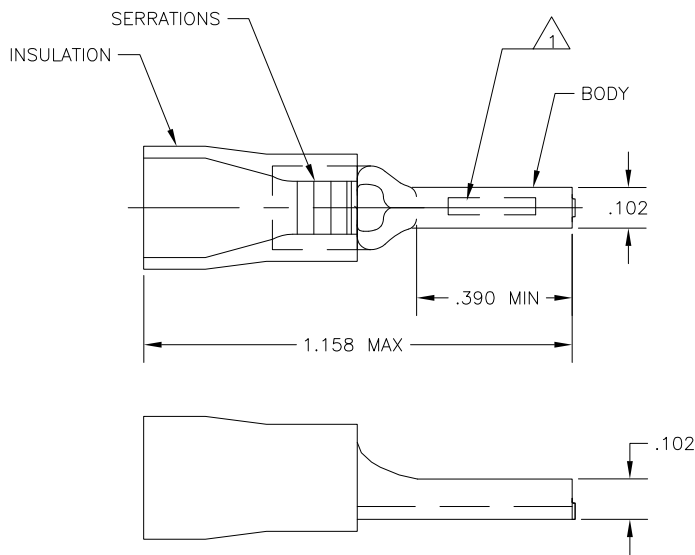
2

1

THIS DRAWING IS UNPUBLISHED. RELEASED FOR PUBLICATION  
 © COPYRIGHT - BY TYCO ELECTRONICS CORPORATION. ALL RIGHTS RESERVED.

LOC	DIST	REVISIONS			
P	LTR	DESCRIPTION	DATE	DWN	APVD
G	14	C3	REVISED PER ECO-11-005958	23MAR11	HMR DR

AMP WIRE RANGE	FILE E13288
12-10 AWG STRANDED	12-10 AWG STRANDED



- 1 STAMP AMP 12-10\* APPROX AS SHOWN  
 2 WIRE INSULATION DIA: .150-.250  
 3 TONGUE MATERIAL THK: .039±.002  
 4 MATERIAL: BODY - CU PER ASTM B152  
 SLEEVE - PVC, COLOR - YELLOW  
 5 PRELIMINARY - NOT FOR PRODUCTION

2000	ON TAPE	5 2-165085-1
500	LOOSE PIECE	165085
QTY	PACKAGE TYPE	PART NO.

AMP INCORPORATED CUSTOMER SERVICE SYSTEMS		MAX RECOMMENDED OPERATING TEMPERATURE: 105°C [221°F]	THIS DRAWING IS A CONTROLLED DOCUMENT.		DWN JR RUTH 23MAR07	Tyco Electronics Corporation Harrisburg, PA 17105-3608			
FOR ADDITIONAL PRODUCT INFORMATION OR COPIES OF DRAWINGS AND TECHNICAL DOCUMENTS	PRODUCT INFORMATION CENTER 1-800-522-6752	VOLTAGE RATING: 600 V MAX	DIMENSIONS: INCHES	TOLERANCES UNLESS OTHERWISE SPECIFIED:	CHK T MICHELUTTI 23MAR07	NAME TERMINAL, WIRE PIN, PLASTI-GRIP WIRE SIZE 12-10 AWG			
FOR APPLICATION	TOOLING ASSISTANCE CENTER 1-800-722-1111	CIRCULAR MIL AREA: 2.62-6.64mm² [5,180-13,100] STRANDED		0 PLC ± - 1 PLC ± - 2 PLC ± .008 3 PLC ± - 4 PLC ± - ANGLES ± -	APVD T MICHELUTTI 23MAR07	APPLICATION SPEC NOT AVAILABLE			
TOOLING INFORMATION	1-800-722-1111			MATERIAL	FINISH TIN PER ASTM B545	PRODUCT SPEC	SIZE A3	CAGE CODE 00779	
FOR ORDER ENTRY	1-800-526-5142	THIS DRAWING IS A CONTROLLED DOCUMENT FOR AMP INCORPORATED. IT IS SUBJECT TO CHANGE AND THE CONTROLLING ENGINEERING ORGANIZATION SHOULD BE CONTACTED FOR THE LATEST REVISION.		4	WEIGHT	DRAWING NO C-165085	RESTRICTED TO		
AMP 1470-19 REV 31MAR2000					CUSTOMER DRAWING		SCALE 4:1	SHEET 1 OF 1	REV C3