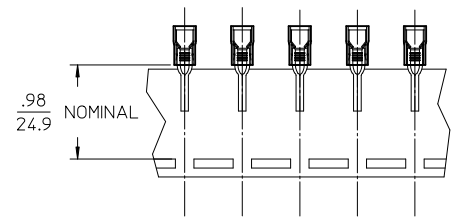
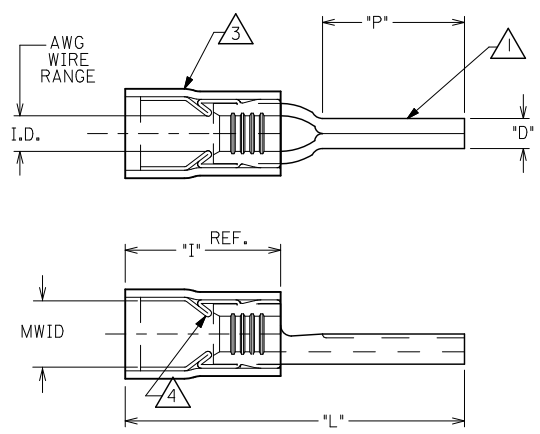


| 10 | 9 | 8 | 7 | 6 | 5 | 4 | 3 | 2 | 1 | |
|--------------------------|----------------------|---------------------------|----------------------|-----------------------|------------------------|--------------------|---------------------------|-----------|------------------|---------------------------|
| LOOSE PC MATERIAL NUMBER | ENGINEERING PART NO. | TAPE MNTD MATERIAL NUMBER | ENGINEERING PART NO. | AWG WIRE RANGE "I.D." | OVERALL LENGTH "L" MAX | PIN LENGTH "P" MIN | PIN DIAMETER "D" ±.01/0.3 | MWID | INSULATION COLOR | LENGTH INSULATION "I" MAX |
| 192130009 | WP-8218 | 192130010 | WP-8218T | 22-18 | .91/23.1 | .35/8.9 | .078/1.98 | .140/3.56 | RED | .42/10.7 |
| 192130011 | WP-8614 | 192130012 | WP-8614T | 16-14 | .92/23.4 | .35/8.9 | .078/1.98 | .170/4.32 | BLUE | .42/10.7 |
| 192130007 | WP-8210 | 192130008 | WP-8210T | 12-10 | 1.13/28.7 | .41/10.4 | .107/2.72 | .225/5.72 | YELLOW | .57/14.5 |



NOTES:

- 1. TERMINAL MATERIAL: COPPER
- 2. TERMINAL PLATING: TIN
- 3. INSULATION MAT'L: EXTRUDED NYLON
- 4. FUNNEL ENTRY FERRULE: TIN PLATED COPPER ALLOY
- 5. MWID=MAXIMUM WIRE INSULATION DIAMETER
- 6. PARTS ARE ROHS COMPLIANT

| | | | | | | | |
|---|-----------------|--|-----------------|---|--------------|--|--|
| REDRAW, REV TOLS EC NO: WNA2009-0437 DRAWN: THRODAHL 2010/03/01 CHKD: JMACNEIL 1992/10/08 APPR: JMACNEIL 2010/03/18 DESCRIPTION | QUALITY SYMBOLS | GENERAL TOLERANCES (UNLESS SPECIFIED) | DIMENSION STYLE | SCALE | DESIGN UNITS | THIRD ANGLE PROJECTION | |
| | ▽=0 ▽=0 | mm INCH 4 PLACES ± --- ± --- 3 PLACES ± --- ± --- 2 PLACES ± --- ± --- 1 PLACE ± --- ± --- ANGULAR ± ---° | IN/MM | --- | INCH | | |
| | | DRAFT WHERE APPLICABLE MUST REMAIN WITHIN DIMENSIONS | SEE CHART | DRAWN BY EMF DATE 1992/10/08 CHECKED BY JM DATE 1992/10/08 APPROVED BY JMACNEIL DATE 2010/03/18 | | TITLE AVIKRIMP WIRE PIN TERMINALS, 800 SERIES MOLEX INCORPORATED MATERIAL NO. SD-19213-002 DOCUMENT NO. SHEET NO. 1 OF 1 | |
| | | | | THIS DRAWING CONTAINS INFORMATION THAT IS PROPRIETARY TO MOLEX INCORPORATED AND SHOULD NOT BE USED WITHOUT WRITTEN PERMISSION | | | |