

4

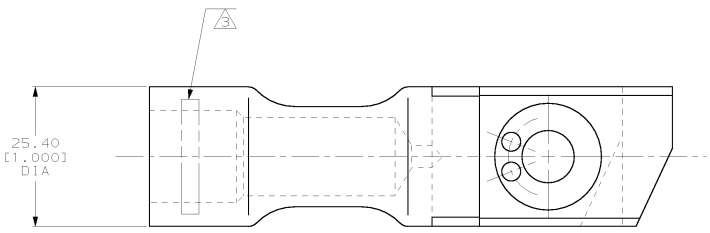
3

2

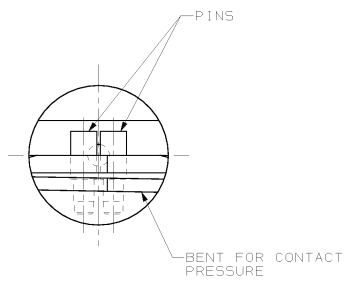
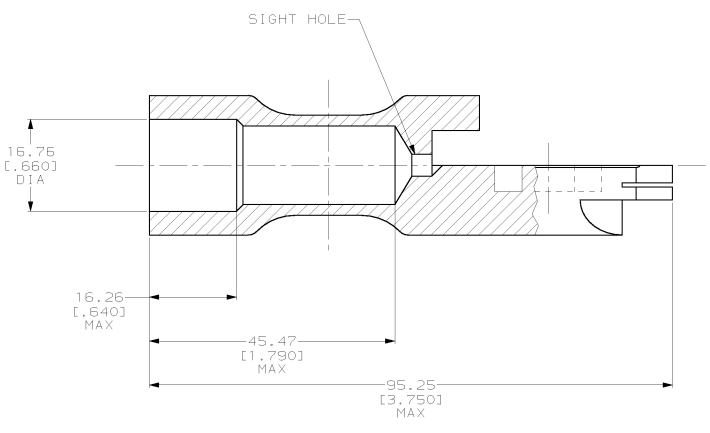
1

THIS DRAWING IS UNPUBLISHED. RELEASED FOR PUBLICATION
 © COPYRIGHT 19 BY AMP INCORPORATED. ALL RIGHTS RESERVED.

LOC	DIST	REVISIONS		
		DESCRIPTION	DATE	BY
G	86	RELEASED PER PR 97-151	26 JAN 98	DKS



- △ BODY AND PINS, BRASS PER Q0-B-626
- △ SILVER PL 0.00762 [1.000300] MIN THK PER Q0-S-365
- △ STAMP AEG 7077D80617 2/O A33 LOCATED IN AREA APPROX AS SHOWN



696037-1
 AMP
 PART NUMBER

THIS DRAWING IS A CONTROLLED DOCUMENT		DWN: SCHEUM 23 JAN 98 CHK: LINDER 26 JAN 98 S.I. M. LUTHELUWITZ DATE: 26 JAN 98	AMP AMP Incorporated Harrisburg, PA 17105-3608
DIMENSIONS: mm (INCHES) TOLERANCES UNLESS OTHERWISE SPECIFIED: 0.010 (0.0004) 0.025 (0.0010) 0.050 (0.0020) 0.125 (0.0050) 0.250 (0.0100) H. HOLE ANGLES: 45°	PRODUCT SPEC: 108-13014 APPLICATION SPEC: - MATERIAL: - FINISH: -	NAME: TERMINAL ASSY, QUICK-DISCONNECT, AMPPOWER™ WIRE SIZE: 2/O AWG TITLE: CASE CODE DRAWING NO: A2 00779 C-696037 CUSTOMER DRAWING	RESTRICTED TO: - SCALE: 2:1 SHEET 1 OF 1 REV 0

AMP 1471-9 REV 13 JAN 97
 26-JAN-98 15:33:34 amp26463 /ws/dep1123/dwg123/u/ampower/u/quick-disc

696037-1
 B

A