

4

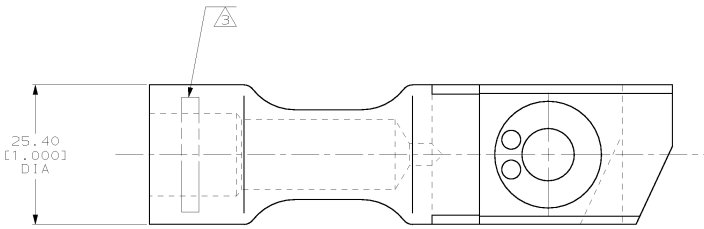
3

2

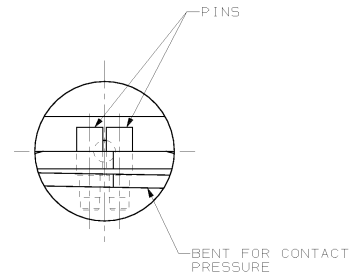
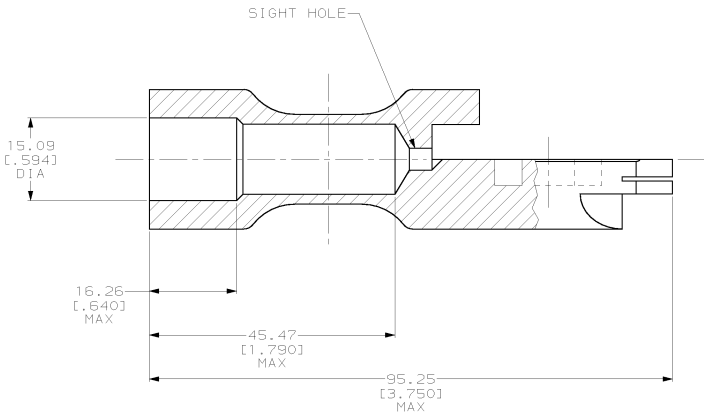
1

THIS DRAWING IS UNPUBLISHED. RELEASED FOR PUBLICATION
 © COPYRIGHT 19 BY AMP INCORPORATED. ALL RIGHTS RESERVED.

REV	DATE	DESCRIPTION	BY	CHK	APPD
G	86				
A		REVISED PER 0610-0028-98			18FEB98 DKS S.JU



- △ BODY AND PINS, BRASS PER Q0-B-626
- △ SILVER PL 0.00762 [1.000300] MIN THK PER Q0-S-365
- △ STAMP AEG 7077D80613 1/0 A33 LOCATED IN AREA APPROX AS SHOWN



696036-1
 AMP
 PART NUMBER

THIS DRAWING IS A CONTROLLED DOCUMENT		DRN CHK	SCHUM UNGER	23JAN98 26JAN98	AMP Incorporated Harrisburg, PA 17105-3608	TERMINAL ASSY, QUICK-DISCONNECT, AMPPOWER™ WIRE SIZE: 1/0 AWG	RESTRICTED TO - - -
DIMENSIONS mm (INCHES)	TOLERANCES UNLESS SPECIFIED	APPROVED	DATE	SCALE			
0.0125 (0.0005) 0.025 (0.0010) 0.050 (0.0020) 0.100 (0.0040) 0.200 (0.0080)	±0.00125 ±0.0025 ±0.0050 ±0.0100 ±0.0200			2:1	1	A	
MATERIAL	FINISH	PRODUCT SPEC	APPLICATION SPEC	REWORK	CASE CODE	DRAWING NO.	
△	△	108-13014	-	-	A2	00779	
		CUSTOMER DRAWING			696036		

696036-1
 B

A