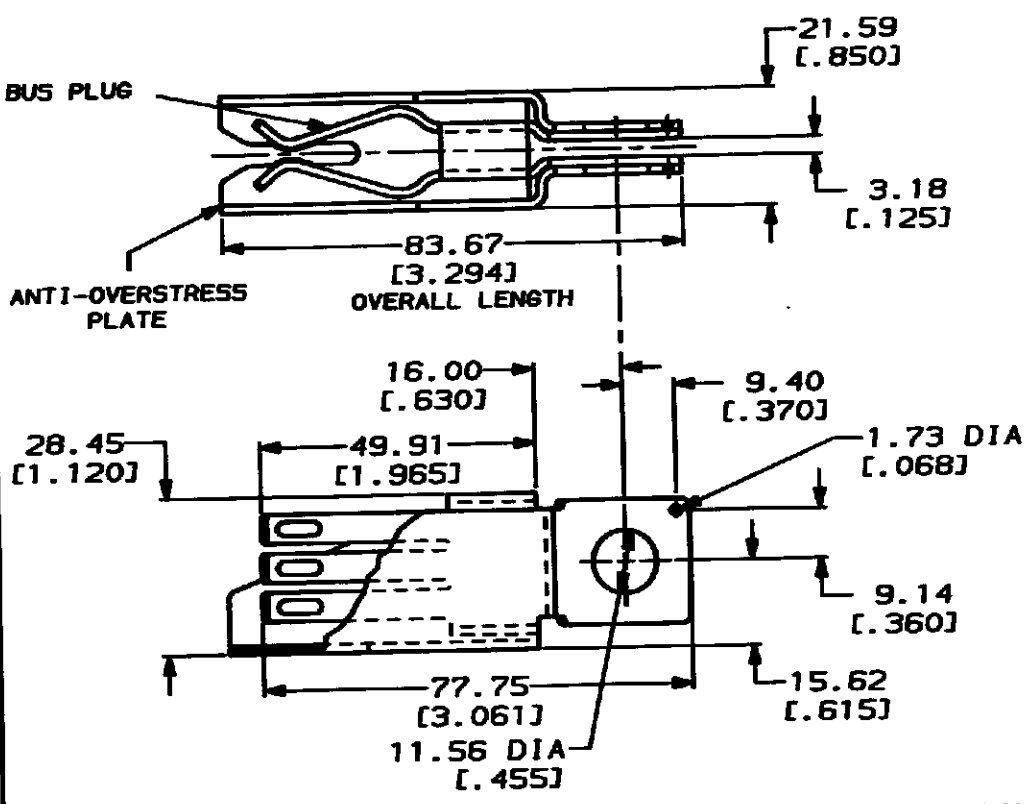


DRAWING MADE IN THIRD ANGLE PROJECTION

LOC	DIST	P	F	LTR	DESCRIPTION	DATE	APPROVED
BG	5			E	REVISION PER B6648	04/92	<i>Gene</i>

THIS DRAWING IS UNPUBLISHED. RELEASED FOR PUBLICATION BY AMP OF CANADA LTD. ALL INTERNATIONAL RIGHTS RESERVED. © COPYRIGHT 19



1. ALL DIMENSIONS REFERENCE ONLY

METRIC

104501-1
PART NO

DO NOT SCALE PRINT. UNLESS SPECIFIED DIMENSIONS IN mm (IN) TOLERANCES ON: 2 PLG DEC ± - 3 PLG DEC ± - ANGLES ± -	DR -	AMP AMP of CANADA Ltd. Markham, Ont.
	CHK S. NUMBER	
MATERIAL	APPD -	NAME
BUS PLUG: COPPER ALLOY ANTI-OVERSTRESS PLATE: S.S.	APPD -	AMP PDS, 125 F2 BUS PLUG W/GUIDE
FINISH	PRODUCT SPEC	SIZE
BUS PLUG: As per ANTI-OVERSTRESS PLATE: PASSIVATED	108-1101	A
	APPLICATION SPEC	CAGE CODE
	114-02111	09482
	WEIGHT	DRAWING NO
		104501
		SCALE
		NTS
		SHEET
		1 of 1

AMP 1489-32 REV 11-89

CUSTOMER DRAWING

© AMP INC 1489-32 11-89