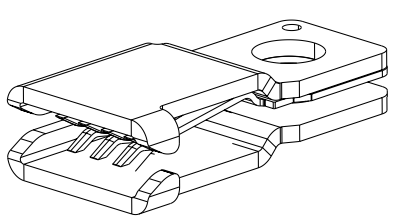
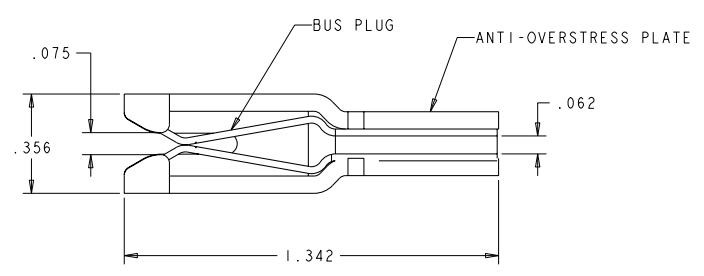
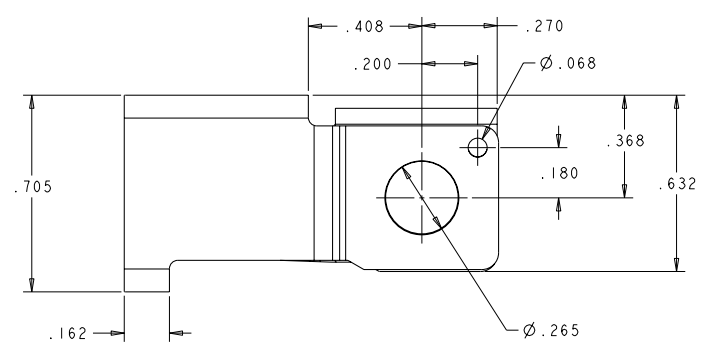


THIS DRAWING IS UNPUBLISHED. RELEASED FOR PUBLICATION BY TYCO ELECTRONICS CORPORATION. ALL RIGHTS RESERVED.

REV	DATE	BY	CHKD	APPROV
G1	08FEB2008	RG	AF	
H	03MAR2011	RG	DO	

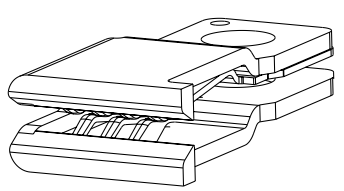
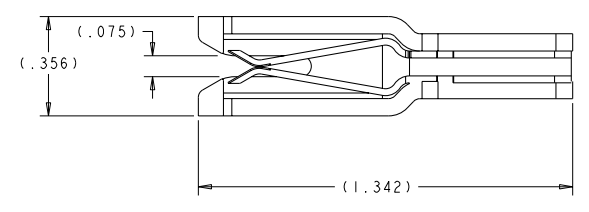
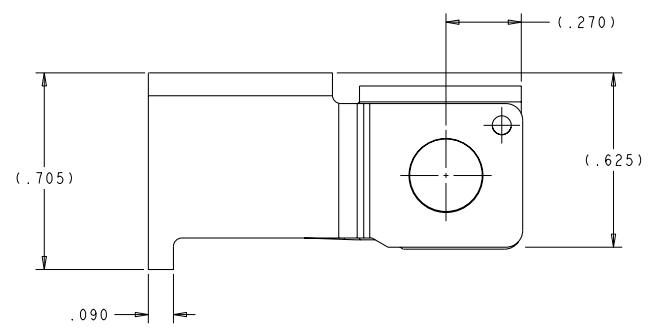


- COMPONENTS UNASSEMBLED IN A SEALED POLY BAG.
- MATERIAL:
ANTI-OVERSTRESS PLATE - STAINLESS STEEL
BUS PLUG - COPPER ALLOY
- FINISH:
SILVER PLATE .000250 MIN THK. OVER
NICKEL .000050 MIN THK.
- MATERIAL:
ANTI-OVERSTRESS PLATE - PEI, 30% GLASS FILLED, UL94V-0
BUS PLUG - COPPER ALLOY
- ITEMS PROVIDED TO THIS SPECIFICATION TO BE PERMANENTLY IDENTIFIED ON THE CONTAINER PER THE FOLLOWING IDENTIFIER LABEL:

YEAR _____ WEEK _____
 TYCO ELECTRONICS P/N _____ DATE CODE (e.g. 0106)
 XXXXXXXX-X XXXX

DESCRIPTION		PART NUMBER	
AMP PDS .062F2		104742-1	
SERIES		W/ GUIDE	
DATE	CASE CODE	DRAWING NO.	RESTRICTED TO
08FEB2008	A200779	104742	
CUSTOMER DRAWING		SCALE	SHEET OF REV
		4:1	1 OF 2 H

REV	DATE	BY	APPROV	DESCRIPTION
00				SEE SHEET 1



DIMENSIONS: INCHES		TOLERANCES UNLESS OTHERWISE SPECIFIED: 0 PLC ±.015 1 PLC ±.010 2 PLC ±.008 3 PLC ±.005 4 PLC ±.003 ANGLES ±.005		DWN 08FEB2008 R. GRZYBOWSKI CDR 08FEB2008 A. ERANTUM ARPD 08FEB2008 S. ELICKLINGER	Tyco Electronics Harrisburg, PA 17105-3608
MATERIAL: - FINISH: -		WEIGHT: - CUSTOMER DRAWING		NAME: AMP PDS .062F2 SERIES W/ GUIDE SHEET: A200779 CASE CODE: C=104742 DRAWING NO: 104742-2	RESTRICTED TO: - SCALE: 4:1 SHEET: 2 OF 2 REV: H