

4

3

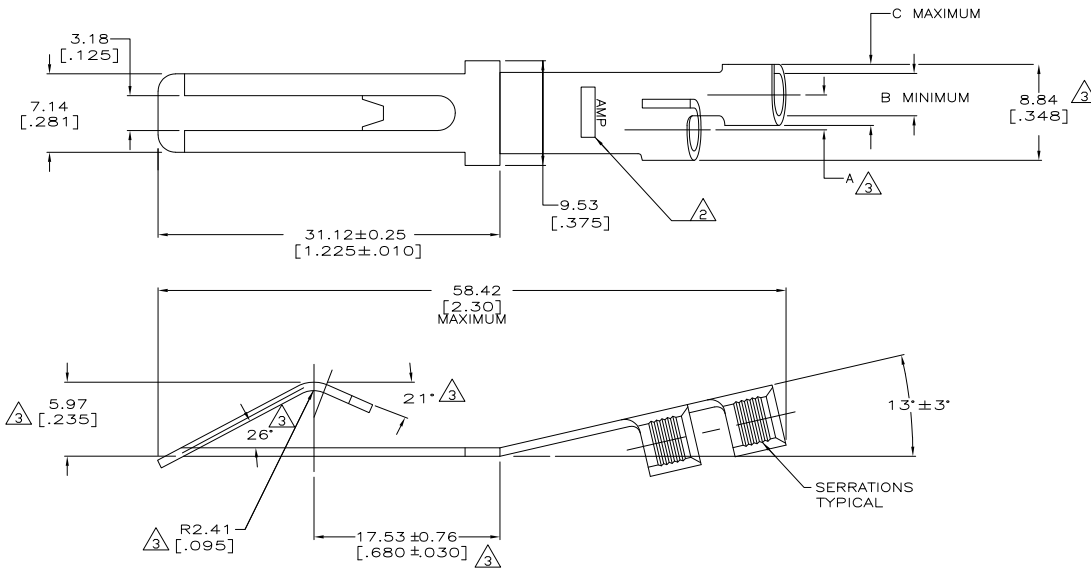
2

1

THIS DRAWING IS UNPUBLISHED. RELEASED FOR PUBLICATION
 BY TYCO ELECTRONICS CORPORATION. ALL RIGHTS RESERVED.

LOC	DIST	REVISIONS					
HM	00	F	LNK	DESCRIPTION	DATE	BY	APP'D
		H		REVISED PER ECR 09-027795	28DEC09	JR	TM

- △1 MATERIAL: PHOSPHOR BRONZE, 0.79[.031] THICK, SILVER PLATE.
- △2 AMP AND WIRE GAUGE LOCATED APPROXIMATELY AS SHOWN. WIRE SIZE PER TABLE.
- △3 REFERENCE



OBSOLETE	14-10	5.08 [.200]	3.28 [.129]	3.89 [.153]	52075-2
	12-10	5.74 [.226]	3.73 [.147]	3.22 [.127]	52075-1
△2	AWG WIRE SIZE	C	B	A	PART NO

THIS DRAWING IS A CONTROLLED DOCUMENT.

DIMENSIONS: mm	0 PLG ± - 1 PLG ± - 2 PLG ± 0.5[.02] 3 PLG ± 0.20[.008] 4 PLG ± ± F ANGLES ± ± F	DWG: L. HALL 070C102 CHK: M. DELPHIAS 080C102 APP'D: M. DELPHIAS 080C102 PRODUCT SPEC: - APPLICATION SPEC: - HEIGHT: -	Tyco Electronics Corporation Harrisburg, PA 17105-3608 TERMINAL BODY, FLAG RELAY CONTACT SIZE: A2 CAGE CODE: 00779 DRAWING NO: C=52075	RESTRICTED TO: - CUSTOMER DRAWING SCALE: 4:1 SHEET: 1 of 1 REV: H
----------------	---	---	--	---

AMP 1471-9 REV 31MMR2000

52075

A