

4

3

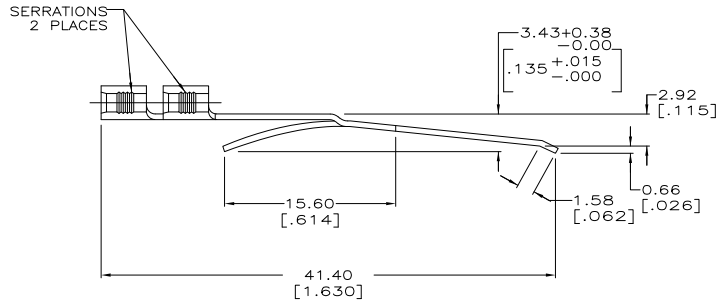
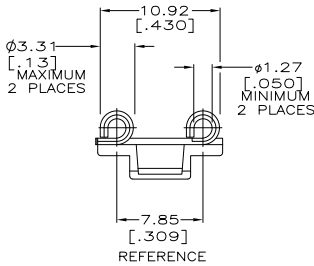
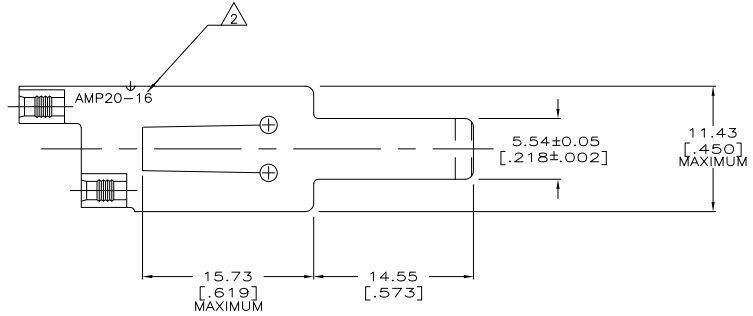
2

1

THIS DRAWING IS UNPUBLISHED. RELEASED FOR PUBLICATION  
 © COPYRIGHT BY TYCO ELECTRONICS CORPORATION. ALL INTERNATIONAL RIGHTS RESERVED.

LOC	DIST	REVISIONS			
F	LNK	DESCRIPTION	DATE	BY	APPD
D1		REVISED PER ECR-08-017668	22JUL08	HMR	TM

- △1 DIMENSIONS ARE NOMINAL UNLESS OTHERWISE SPECIFIED.
- △2 TEXT IS LOCATED ON FAR SIDE OF PART.
- △3 MATERIAL: PHOSPHOR BRONZE 0.51[.021] THICK, SILVER PLATED.



53112-1  
PART NO.

THIS DRAWING IS A CONTROLLED DOCUMENT.		DW L McEACHIN/LTA 2EMAR08		Tyco Electronics Corporation Harrisburg, PA 17105-3608	
DIMENSIONS: mm [INCHES]		CHK N. JONES 28FEB08		APPROVED P. BYRDL 28FEB08	
TOLERANCES UNLESS OTHERWISE SPECIFIED:		DRAWN NAME		WIRE TERMINAL, SOLISTRAND-FLAG RELAY CONTACT, WIRE SIZE 20-16	
0 PLC ± .005	1 PLC ± .002	APPLICATION SPEC		SIZE CAGE CODE DRAWING NO	
2 PLC ± 0.51[.021]	3 PLC ± 0.127[.005]	WEIGHT		A2 00779 C-53112	
4 PLC ± .001	ANGLES ± .001	FINISH		RESTRICTED TO	
MATERIAL △3		CUSTOMER DRAWING		SCALE 4:1 SHEET 1 of 1 REV D1	

1471-9 (1/08)

53112

A