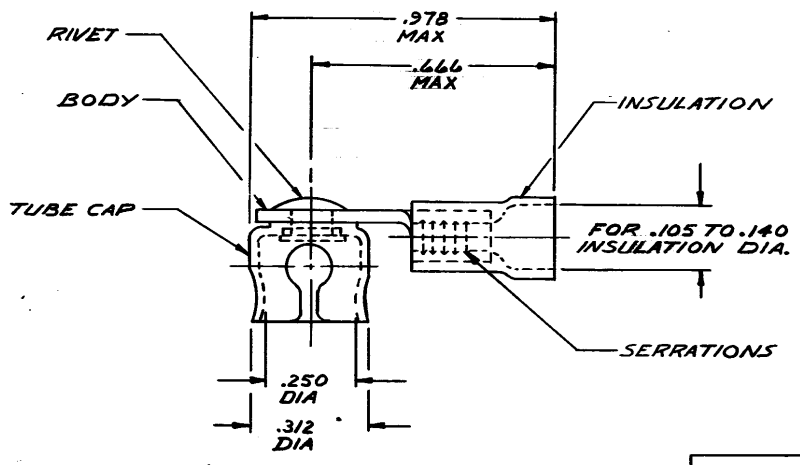


DRAWING MADE IN THIRD ANGLE PROJECTION

© COPYRIGHT 19 BY AMP INCORPORATED, HARRISBURG, PA.
 ALL INTERNATIONAL RIGHTS RESERVED. AMP INCORPORATED PRODUCTS
 COVERED BY U. S. AND FOREIGN PATENTS AND/OR PATENTS PENDING.

P		F		ZONE		LTR		REVISIONS		LOC	DIST
								DESCRIPTION	DATE	APPROVED	
								RELEASED PER NPS P79-0060	11/60	1/64	



TONGUE MATERIAL THICKNESS = .031 ± .002

BODY: COPPER (QQ-C-576) ANNEALED, TIN PLATE (MIL-T-10727) CLIP: COPPER/ZINC ALLOY (MIL-C-50) TIN PL (MIL-T-10727) RIVET: BRASS, TIN PL (MIL-T-10727) INSULATION: PVC, COLOR - BLACK		PART NO 55137-1
MATERIAL & FINISH		
UNLESS OTHERWISE SPECIFIED DIMENSIONS ARE IN INCHES. TOLERANCES ON: DECIMALS ± ANGLES ±	CONTRACT NO DR <i>H. J. 11/60</i> CHK <i>J. C. 1-5-60</i> APPD <i>J. C. 1-5-60</i> APPD	AMP AMP INCORPORATED Harrisburg, Pa. NAME PG TUBE CAP ASSY WIRE SIZE 22-16
MATERIAL SEE TABLE	DSCH APPD OTHER APPD	SIZE B CODE IDENT NO 00779 DRAWING NO 55137
FINISH SEE TABLE	OTHER APPD	SCALE NTS SHEET 1 of 1

AMP 1470-15 REV 6-79

CUSTOMER DRAWING