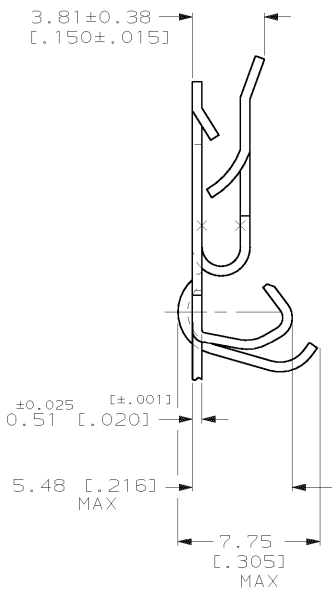
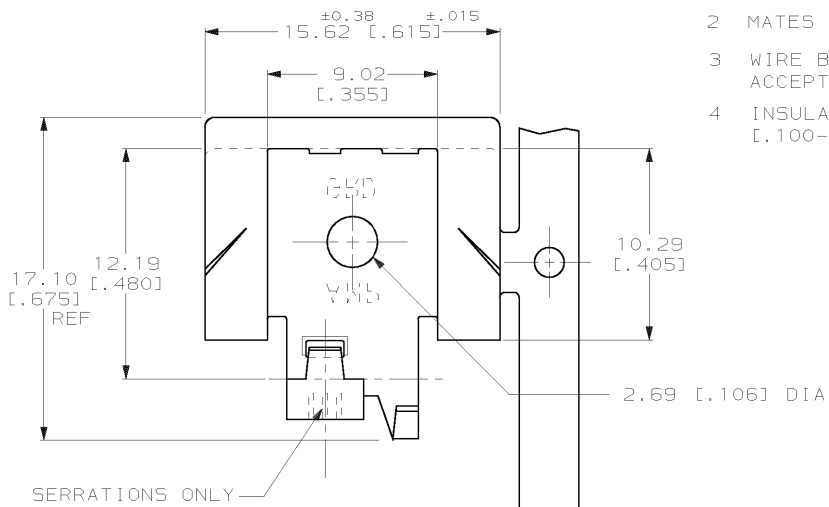


DRAWING MADE IN THIRD ANGLE PROJECTION

THIS DRAWING IS UNPUBLISHED. RELEASED FOR PUBLICATION, 19
 © COPYRIGHT 19 BY AMP INCORPORATED. ALL INTERNATIONAL RIGHTS RESERVED.

LOC	DIST	REVISIONS				
P	F	ZONE	LTR	DESCRIPTION	DATE	APPD
AF	50			A REL PER 063A-0324-00	17MAY00	JR/EH

- 1 CONTINUOUS STRIP ON REELS.
- 2 MATES WITH .019-.071 THK PANEL.
- 3 WIRE BBL IS PRE-CRIMPED AND ACCEPTS A [#18-#14] AWG.
- 4 INSULATION RANGE IS 2.54-3.56 [.100-.140] DIA.



1217372-1

PART NO

DO NOT SCALE PRINT. UNLESS SPECIFIED DIMENSIONS IN MM [INCHES] TOLERANCES ON: 2. PLC DEC ± 0.25 [.010] 3. PLC DEC ± - ANGLES ± -	DR 23MAR00 JR RUTH CHK 23MAR00 MS FEHER APPD 23MAR00 E HOWARD APPD 23MAR00 D ROTELL
MATERIAL 1/2 HARD STAINLESS STEEL	PRODUCT SPEC -
FINISH -	APPLICATION SPEC -
WEIGHT -	

AMP AMP INCORPORATED Harrisburg, Pa. 17105		
NAME CLIP, GROUNDING, PREFORM		
SIZE B	CAGE CODE 00779	DRAWING NO 1217372
SCALE 5:1	SHEET 1 OF 1	

AMP 1470-15 REV 6-89
 23-MAR-00 15:04:25 amp13469 /ws/tesp/u.jr-proposals

CUSTOMER DRAWING