

4

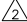
3

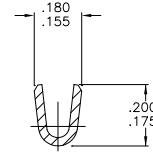
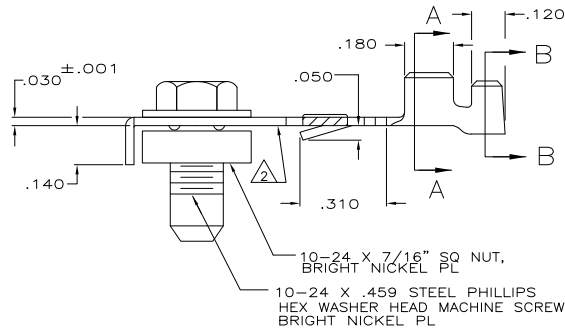
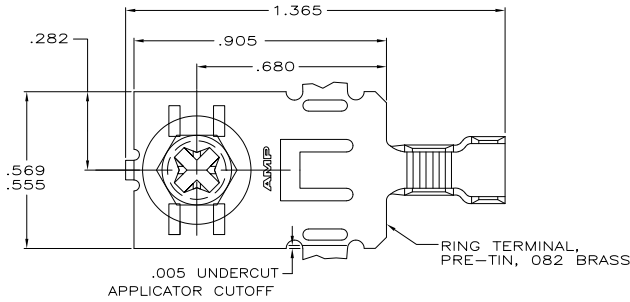
2

1

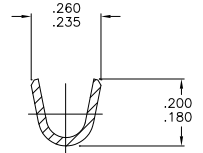
THIS DRAWING IS UNPUBLISHED. RELEASED FOR PUBLICATION
 © COPYRIGHT BY TYCO ELECTRONICS CORPORATION. ALL RIGHTS RESERVED.

LOC	DIST	REVISIONS			
P	LR	DESCRIPTION	DATE	BY	APPD
AF	50	B1	REVISED PER ECR-07-026326	06NOV07	HMR DD

- 1 CONTINUOUS STRIP ON REELS.
- 2  VERTICAL BURRS NOT TO EXCEED .005 ALONG THIS EDGE.
- 3 BACK OUT TORQUE OF SCREW TO BE A MIN OF 5 INCH LBS AND A MAX OF 25 INCH LBS.
- 4 REFERENCE APPLICATOR LOG SHEET FOR CRIMP INFORMATION.



SECTION A-A



SECTION B-B

.100-.140 DIA	18-14 AWG	1217851-1
INSULATION RANGE	WIRE RANGE	PART NUMBER

THIS DRAWING IS A CONTROLLED DOCUMENT.		DWG: MICHAEL S. FEHR 18JUL2002 CHK: DONALD F. DECKER 18JUL2002 APP: DONALD F. DECKER 18JUL2002 PRODUCT SPEC: 108-1191 APPLICATION SPEC: 114-2087 WEIGHT: - CUSTOMER DRAWING	Tyco Electronics Corporation Harrisburg, PA 17105-3608 SUB-ASSEMBLY, POWER RING SIZE: A2 CASE CODE: 00779 DRAWING NO: C=1217851 SCALE: 4:1 SHEET: 1 of 1 REV: B1
DIMENSIONS: INCHES	DIMENSIONS: INCHES OTHER THAN SPECIFIED: 0 PLC ± - 1 PLC ± - 2 PLC ± - 3 PLC ± .010 4 PLC ± - ANGLES ± -	RESTRICTED TO: -	
MATERIAL: SEE CALL-OUTS	FINISH: SEE CALL-OUTS		

AMP 1471-9 REV 31MM2000

1217851

A

B1