

4

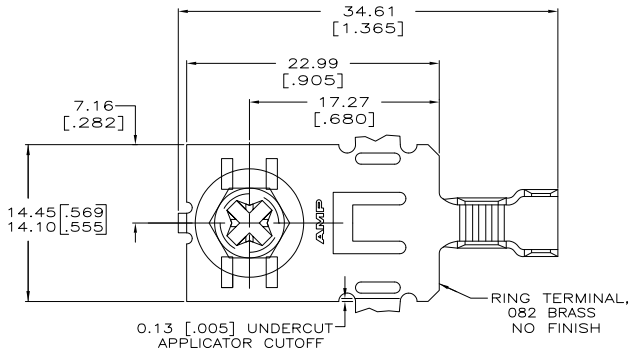
3

2

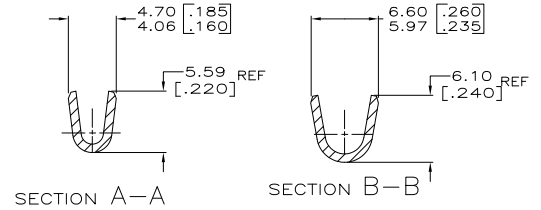
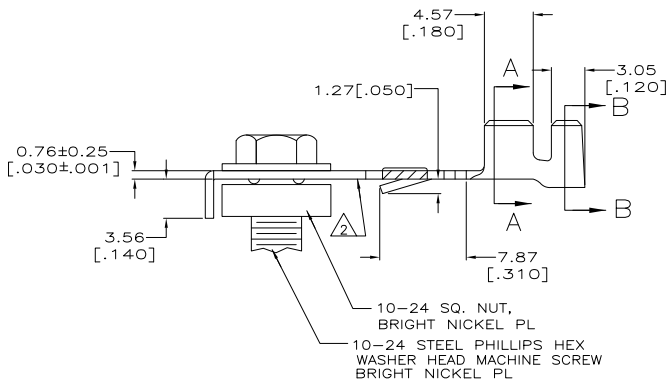
1

THIS DRAWING IS UNPUBLISHED. RELEASED FOR PUBLICATION.
 © COPYRIGHT BY TYCO ELECTRONICS CORPORATION. ALL INTERNATIONAL RIGHTS RESERVED.

LOC	DIST	REVISIONS		
F	LNK	DESCRIPTION	DATE	BY
AF	50			
	A2	REVISED PER ECR-10-003607	22FEB10	HMR GJ



- 1 CONTINUOUS STRIP ON REEL.
- 2 VERTICAL BURRS NOT TO EXCEED 0.13 [.005] ALONG THIS EDGE.
- 3 BACK OUT TORQUE OF SCREW TO BE A MIN OF 5 INCH LBS AND A MAX OF 25 INCH LBS.
- 4 REFERENCE APPLICATOR LOG SHEET FOR CRIMP INFORMATION.
- 5 PART TO HAVE HARDENED NUTS
- 6 RECOMMENDED FOR USE WITH TYCO ELECTRONICS HOUSING 520942-() AND 521188-()
- 7 PRELIMINARY - NOT FOR PRODUCTION.



EXTENDED LENGTH	2.79-4.06 [.110-.160] DIA	#16-#12 AWG	521844-2
STANDARD	2.79-4.06 [.110-.160] DIA	#16-#12 AWG	521844-1
SCREW	INSULATION RANGE	WIRE RANGE	PART NUMBER
THIS DRAWING IS A CONTROLLED DOCUMENT.			
DIMENSIONS: mm [INCHES]		DWG: J.R. RUTH 13SEP05 CHK: DONALD DECKER 13SEP05 APPO: DONALD DECKER 13SEP05 PRODUCT SPEC: 108-1191 APPLICATION SPEC: 114-2087 WEIGHT: - FINISH: - MATERIAL: SEE COMPONENT FINISH: SEE COMPONENT	
Tyco Electronics Corporation Harrisburg, PA 17105-3608		TERMINAL, SUB-ASSEMBLY, POWER RING SIZE: 00779 C=521844 RESTRICTED TO: - CUSTOMER DRAWING SCALE: 4:1 SHEET: 1 of 1 REV: A2	