

4

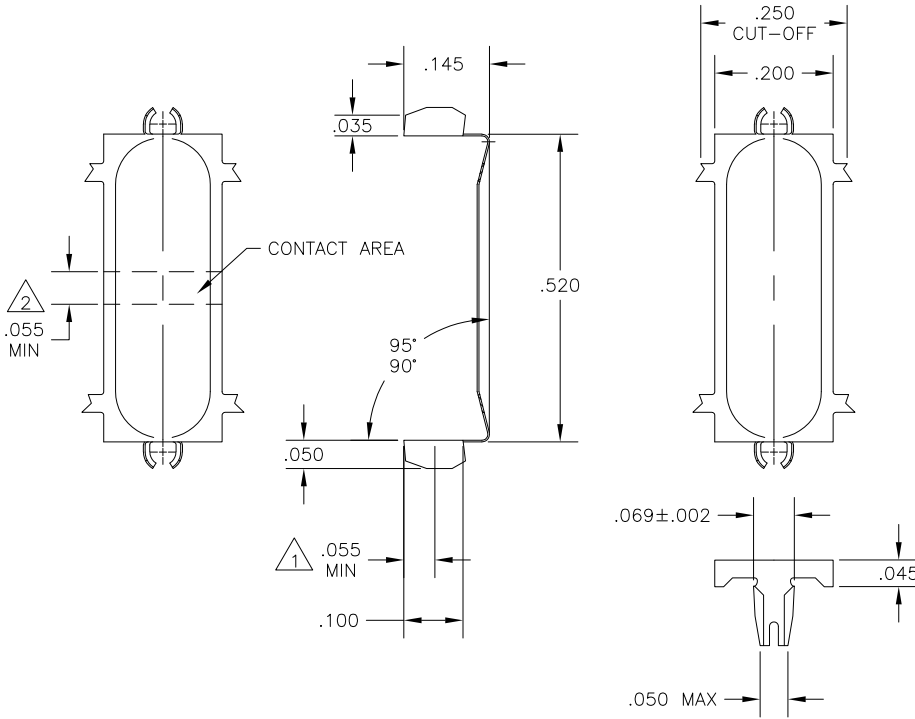
3

2

1

THIS DRAWING IS UNPUBLISHED. RELEASED FOR PUBLICATION
 © COPYRIGHT - BY TYCO ELECTRONICS CORPORATION. ALL RIGHTS RESERVED.

LOC	DIST	REVISIONS				
P	LTR	DESCRIPTION	DATE	DWN	APVD	
AF	50					
	A1	REV PER ECR-06-016304	20JUL06	HMR	EH	
	A2	REVISED PER ECO-09-024927	07NOV09	KK	AEG	



- 1 TIN ON OUTSIDE OF MOUNTING LEGS ONLY.
- 2 .000030 MIN GOLD IN CONTACT AREA ONLY.
- 3 SEE DWG 62313 FOR BUTTON CONTACT.
- 4 SUPPLIED ON CONTINUOUS STRIP
- 5 OBSOLETE PARTS: OBSOLETE CIS STREAMLINING PER D.RENAUD/D.SINISI

	1742256-2	1 2	1742257-2
5	OBSOLETE	1	1742257-1
	LOOSE PIECE P/N	FINISH	PART NO

THIS DRAWING IS A CONTROLLED DOCUMENT.

DIMENSIONS: INCHES	TOLERANCES UNLESS OTHERWISE SPECIFIED:	DWN jr_ruth 02AUG05	Tyco Electronics Corporation Harrisburg, PA 17105-3608	
0 PLC ± -	1 PLC ± -	CHK ED_HOWARD 02AUG05	NAME ED_HOWARD	
1 PLC ± -	2 PLC ± -	APVD ED_HOWARD 02AUG05	PRODUCT SPEC 114-2014	
2 PLC ± -	3 PLC ± .010		APPLICATION SPEC 108-2018	
3 PLC ± -	4 PLC ± -		SIZE A3	CAGE CODE 00779
4 PLC ± -	ANGLES ± 5°		DRAWING NO C=1742257	RESTRICTED TO -
MATERIAL STAINLESS STEEL	FINISH SEE TABLE	WEIGHT -	CUSTOMER DRAWING	SCALE 6:1
			SHEET 1 OF 1	REV A2

AMP 1470-19 REV 31MAR2000