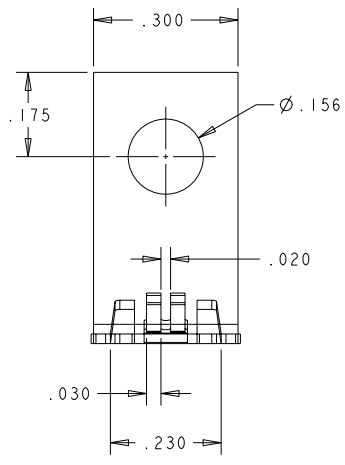
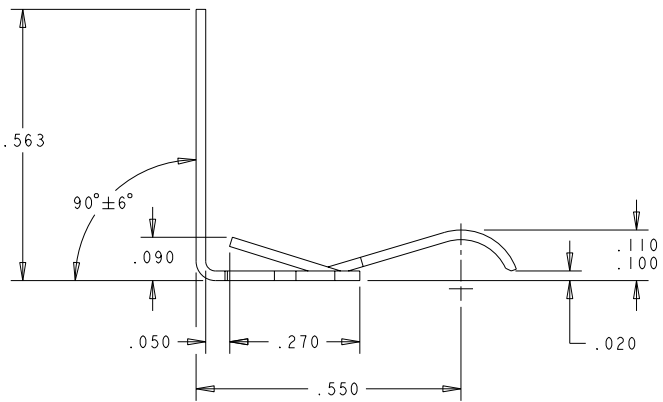


THIS DRAWING IS UNPUBLISHED. RELEASED FOR PUBLICATION
 © COPYRIGHT 20 BY TYCO ELECTRONICS CORPORATION, ALL RIGHTS RESERVED.

LOC	DIST	REVISIONS				
P	LTR	DESCRIPTION	DATE	DWN	APVD	
	J	REVISED ECO-06-000922	01FEB2006	SW	SH	
	K	REVISED ECO-06-003313	27FEB2006	SW	SH	
	L	REVISED ECO-06-004693	01MAR2006	SW	DC	



	FINISH	PART NUMBER
	TIN OVER NICKEL	1-350056-2
OBSOLETE	.000015 GOLD OVER NICKEL	350056-4
	.000030 GOLD OVER NICKEL	350056-3
	TIN-LEAD OVER NICKEL	350056-2
	GOLD FLASH OVER NICKEL	350056-1

<small>THIS DRAWING IS A CONTROLLED DOCUMENT FOR TYCO ELECTRONICS CORPORATION IT IS SUBJECT TO CHANGE AND THE CONTROLLING AUTHENTICATING ORGANIZATION SHOULD BE CONTACTED FOR THE LATEST REVISION.</small>		DWN S. WELDON 31JAN2006 CHK S. HEADER 31JAN2006 APVD S. HEADER 31JAN2006		AMP Tyco Electronics Harrisburg, PA 17105-3608	
DIMENSIONS: INCHES		TOLERANCES UNLESS OTHERWISE SPECIFIED: 0 PLC ±0 1 PLC ±0 2 PLC ±.02 3 PLC ±.005 4 PLC ±.0005 ANGLES 30°/30°		NAME CONTACT, LOOSE PIECE, MULTIPLE TAP PRODUCT SPEC - APPLICATION SPEC - WEIGHT -	
MATERIAL - FINISH -		SIZE A3 CAGE CODE 00779 DRAWING NO. C=350056		RESTRICTED TO -	
CUSTOMER DRAWING				SCALE 5:1 SHEET 1 OF 1 REV L	