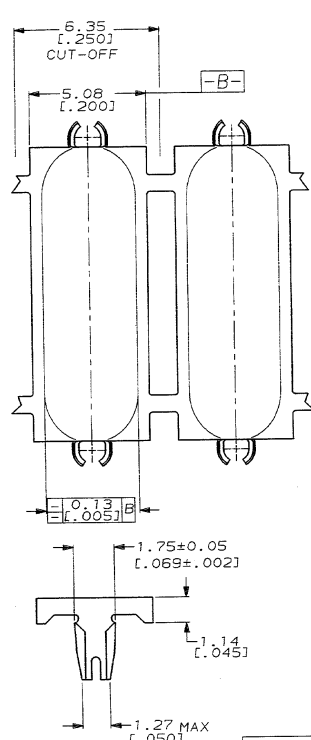
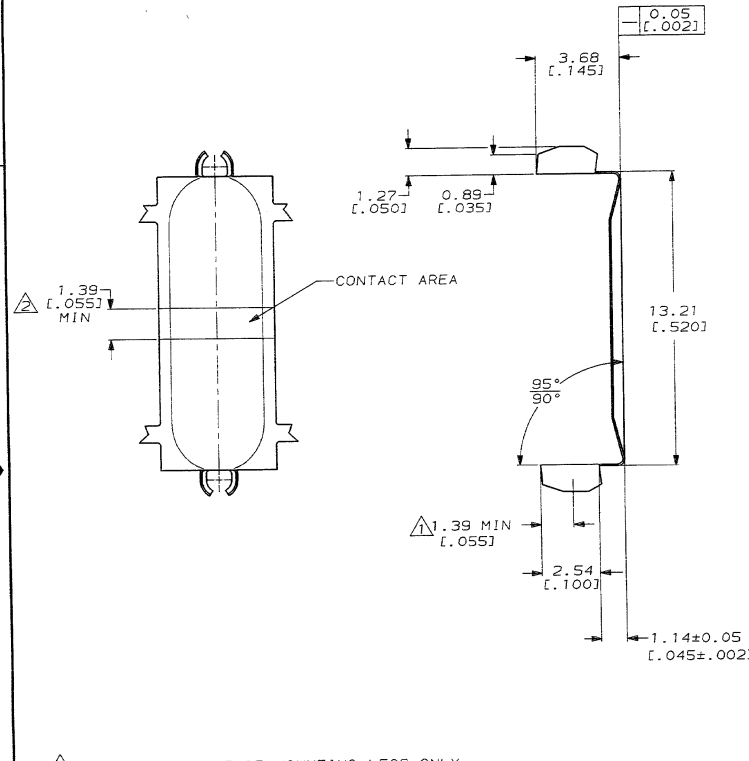


DRAWING MADE IN THIRD ANGLE PROJECTION

THIS DRAWING IS UNPUBLISHED. RELEASED FOR PUBLICATION. 19
 © COPYRIGHT 19 BY AMP INCORPORATED, HARRISBURG, PA. ALL INTERNATIONAL RIGHTS RESERVED. AMP PRODUCTS MAY BE COVERED BY U.S. AND FOREIGN PATENTS AND/OR PATENTS PENDING.

LOC	DIST	P	F	ZONE	LTR	REVISIONS	DATE	APPROVED	
AF	52					E	REV & REDWN PER AF-2548	4/13/87	dy
						F	REV PER AF-4822	5/2/87	chy



- △ TIN ON OUTSIDE OF MOUNTING LEGS ONLY.
- △ .000030 MIN GOLD IN CONTACT AREA ONLY.
- 3 SEE DWG 62313 FOR BUTTON CONTACT.
- 4 THIS DRAWING IS RESTRICTED FOR FORD MOTOR CO., DELCO REMY, AND VEEDER-ROOT CO.
- 5 DIMENSIONS IN BRACKETS ARE IN INCHES.

62614-2	ON STRIP	△ △	62644-2
62614-1	ON STRIP	△ △	62644-1
P/N LOOSE PIECE	REMARKS	FINISH	PART NO

UNLESS OTHERWISE SPECIFIED DIMENSIONS ARE IN mm TOLERANCES ON :	DR	4/8/87
2 PL DEC ±0.25 [.010]	CHK	<i>D. Hollenbach</i>
3 PL DEC ± -	APP	<i>4 Letter 7/8/87</i>
ANGLES ± -	APP	<i>D. J. Rostone 7/8/87</i>
MATERIAL	PRODUCT SPEC	
0.08 [.003] THK	108-2018	
FINISH	APPLICATION SPEC	
SEE TABLE	114-2014	
	WEIGHT	

AMP AMP INCORPORATED Harrisburg, Pa. 17105	
NAME	
SWITCH, KEYBOARD, HIGH FORCE	
SIZE	FSCM NO
C 00779	62644
SCALE	SHEET
8:1	1 OF 1

METRIC

RESTRICTED CUSTOMER DRAWING