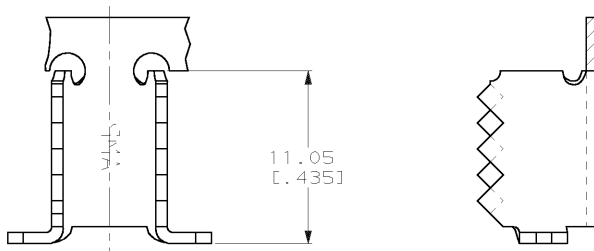


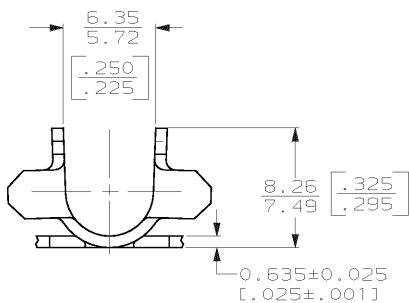
DRAWING MADE IN THIRD ANGLE PROJECTION

THIS DRAWING IS UNPUBLISHED. RELEASED FOR PUBLICATION, 19
 © COPYRIGHT 19 BY AMP INCORPORATED. ALL INTERNATIONAL RIGHTS RESERVED.

LOC	DIST	REVISIONS				
P	F	ZONE	LTR	DESCRIPTION	DATE	APPD
AF	50		K	REDRAWN PER AF-7278	2/19/91	PF/MF



1 CONTINUOUS STRIP ON REELS.



METRIC

4.57-5.84 DIA [.180-.230]	42412-5	
INSULATION RANGE	PART NO	
AMP AMP Incorporated Harrisburg, PA 17105-3608		
NAME		
STRAIN RELIEF, WING TYPE		
SIZE	CAGE CODE	DRAWING NO
B	00779	42412
SCALE	4:1	SHEET
		1 OF 1

DO NOT SCALE PRINT. UNLESS SPECIFIED DIMENSIONS IN mm [INCHES] TOLERANCES ON: 2. PLC DEC ± 0.25 (.010) 3. PLC DEC ± - ANGLES ± -	DR 2/19/91 P FORNEY CHK 2/21/91 MS FEHER APPD 2/21/91 D SCHENK APPD 2/25/91 R HEAVILL
MATERIAL	PRODUCT SPEC
ALUMINUM	-
FINISH	APPLICATION SPEC
-	-
WEIGHT	-

AMP 1470-15 REV 11-89
 26 FEB 1991 09:14:34 AMP17795 40512844REP72122-0462122-01-SPEC.TERM

CUSTOMER DRAWING