

4

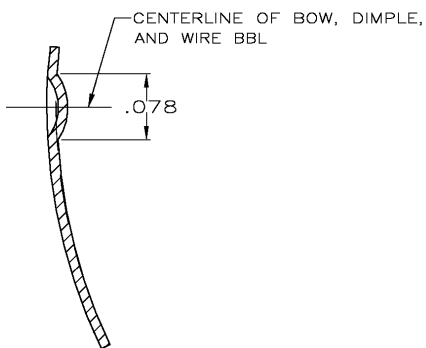
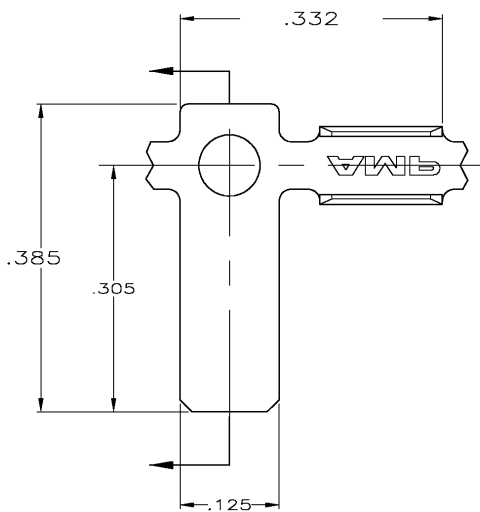
3

2

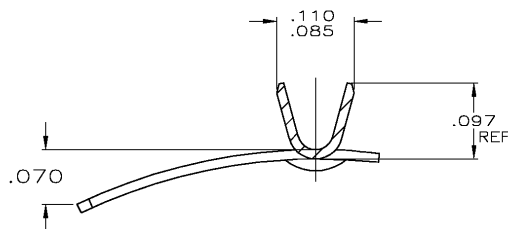
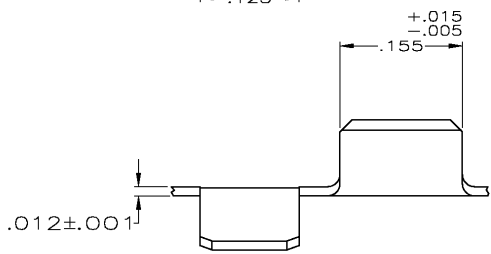
1

THIS DRAWING IS UNPUBLISHED. RELEASED FOR PUBLICATION
 © COPYRIGHT - BY TYCO ELECTRONICS CORPORATION. ALL RIGHTS RESERVED.

LOC	DIST	REVISIONS			
P	LTR	DESCRIPTION	DATE	DWN	APVD
AF	50	F	REVISED PER OG3A-0173-04	16MAR04	MF GP



- 1 CONTINUOUS STRIP ON REELS.
- 2 WIRE SIZE IS #20-#18 AWG



REVERSE REELING	1217698-2
-	1217698-1
REELING	PART NO.

THIS DRAWING IS A CONTROLLED DOCUMENT.		DWN	JR RUTH	15AUG01	 Tyco Electronics Corporation Harrisburg, Pa 17105-3608
DIMENSIONS: INCHES		CHK	G_PORTA	20AUG01	
TOLERANCES UNLESS OTHERWISE SPECIFIED:		APVD	G_PORTA	20AUG01	NAME
0 PLC	± -	PRODUCT SPEC		BRUSH CONTACT	
1 PLC	± -	APPLICATION SPEC		-	
2 PLC	± -	WEIGHT		-	
3 PLC	± .010	SIZE		CAGE CODE	DRAWING NO
4 PLC	± -	RESTRICTED TO		-	
ANGLES	± -	CUSTOMER DRAWING		SCALE	8:1
MATERIAL	H04 PHOS BRONZE	FINISH		-	
		A3		00779	1217698
		SHEET		1	OF 1
		REV		F	

AMP 1470-19 REV 31MAR2000