

4

3

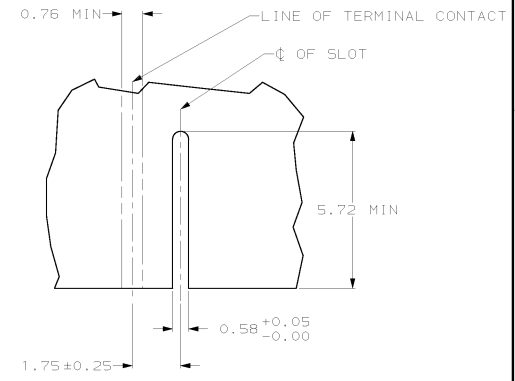
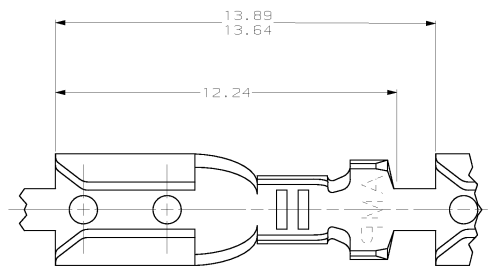
2

1

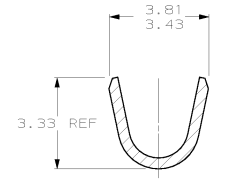
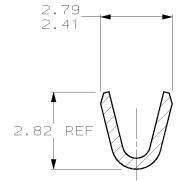
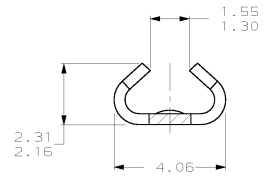
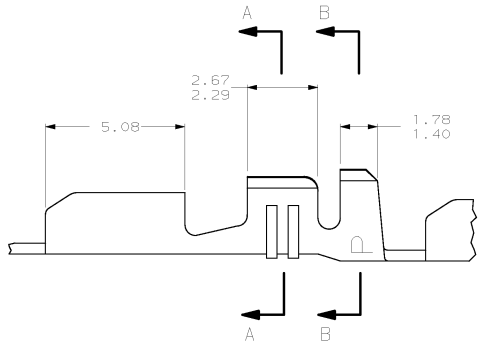
THIS DRAWING IS UNCLASSIFIED
 RELEASED FOR PUBLICATION
 (C) COPYRIGHT IS BY AMP INCORPORATED. ALL RIGHTS RESERVED.

REV	DATE	DESCRIPTION	DATE	BY	APP'D
CM	52				
H		REV 8 REDWN PER EC 0L30-0096-97	2-28-97	TB	RS

- 1. WIRE RANGE: 0.4 - 0.9 MM² (22 - 18 AWG)
- 2. INSULATION RANGE: 2.03 - 2.54



RECOMMENDED CUT OUT FOR 1.57 MAX THICK PANEL



SECTION A-A

SECTION B-B

MM	IN	MM	IN	MM	IN	MM	IN
1.30	.051	2.29	.090	3.43	.135	-	-
0.76	.030	2.16	.085	3.33	.131	13.89	.547
0.58	.023	2.03	.080	2.82	.111	13.64	.537
0.40	.016	1.78	.070	2.79	.110	12.24	.482
0.25	.010	1.75	.069	2.67	.105	5.72	.225
0.13	.005	1.57	.062	2.54	.100	5.08	.200
0.05	.002	1.55	.061	2.41	.095	4.06	.160
0.00	.000	1.40	.055	2.31	.091	3.81	.150
MM	IN	MM	IN	MM	IN	MM	IN

CONVERSION TABLE

METRIC

60704-1
PART NUMBER

THIS DRAWING IS A CONTROLLED DOCUMENT		DW	T. BECK	2-28-97
DRAWING NUMBER		CHK	SWING	2-28-97
DRAWING DATE		APP	BRIDGEMAN	3-10-97
DRAWING SCALE		APPROVAL		
MATERIAL		0.40 BRASS	FINISH	MATTE TIN
CUSTOMER DRAWING		SCALE	10:1	SHEET 1 OF 1

AMP Incorporated
Harrisburg, PA 17105-3608

TERMINAL, 22-18 AWG, .080-.100
INSULATION, AMP-EDGE™

FILE CASE CODE (DRAWING NO.)
A200779-60704

AMP 1471-9 REV 27/04/06
26-FEB-97 15:21:28 amp2238 /home/amp2238/junk