

4

3

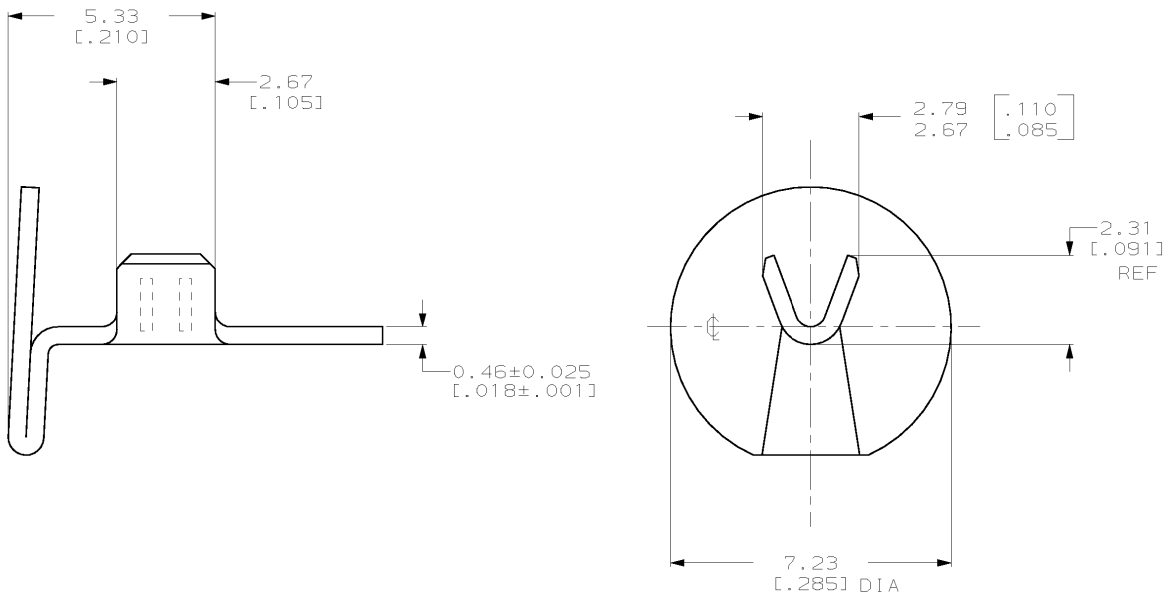
2

1

THIS DRAWING IS UNPUBLISHED. RELEASED FOR PUBLICATION .19
 © COPYRIGHT 19 BY AMP INCORPORATED. ALL RIGHTS RESERVED.

LOC	DIST	REVISIONS				
P	LTR	DESCRIPTION	DATE	DWN	APVD	
AF	50	E	REV PER 063A-0026-01	11 JAN01	JR GP	

1 WIRE SIZE IS [#24-#20] AWG.



61933-1
 PART NO.

THIS DRAWING IS A CONTROLLED DOCUMENT.		DWN	JR RUTH	180CT00	AMP AMP Incorporated Harrisburg, PA 17105-3608														
		CHK	MS FEHER	180CT00															
DIMENSIONS: MM (INCHES)		APVD	G PORTA	180CT00	NAME														
<table border="1"> <tr> <th colspan="2">TOLERANCES UNLESS OTHERWISE SPECIFIED:</th> </tr> <tr> <td>0 PLC</td> <td>±-</td> </tr> <tr> <td>1 PLC</td> <td>±-</td> </tr> <tr> <td>2 PLC</td> <td>±0.25 [0.010]</td> </tr> <tr> <td>3 PLC</td> <td>±-</td> </tr> <tr> <td>4 PLC</td> <td>±-</td> </tr> <tr> <td>ANGLES</td> <td>±-</td> </tr> </table>		TOLERANCES UNLESS OTHERWISE SPECIFIED:		0 PLC	±-	1 PLC	±-	2 PLC	±0.25 [0.010]	3 PLC	±-	4 PLC	±-	ANGLES	±-	PRODUCT SPEC		BRUSH TERMINAL	
TOLERANCES UNLESS OTHERWISE SPECIFIED:																			
0 PLC	±-																		
1 PLC	±-																		
2 PLC	±0.25 [0.010]																		
3 PLC	±-																		
4 PLC	±-																		
ANGLES	±-																		
MATERIAL		APPLICATION SPEC		SIZE	RESTRICTED TO														
TEMP 1 BRASS		FINISH		WEIGHT															
				A3 00779	C- 61933														
		CUSTOMER DRAWING		SCALE	10:1														
				SHEET	1 OF 1														
				REV	E														

AMP 1470-19 REV 11 JUN97

11-JAN-01 12:05:27 amp13469 /home/amp13469/edmod