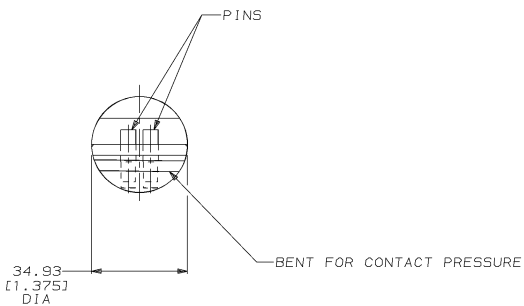
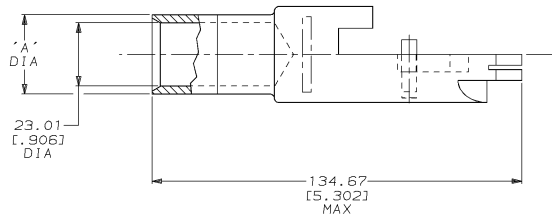
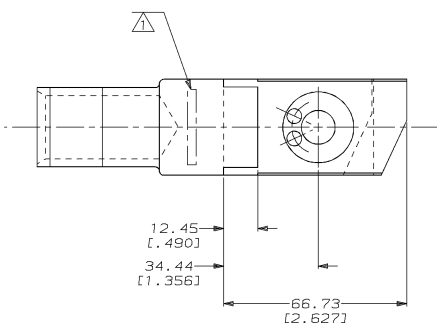


△ STAMP AMP 400 MCM 1100/24 APPROX AS SHOWN



30.48 [L. 2.00]	53434-2
28.83 [L. 1.135]	53434-1
'A'	AMP PART NUMBER

<small>THIS DRAWING IS UNPUBLISHED. RELEASED FOR PUBLICATION. ALL RIGHTS RESERVED.</small>		DWN SCHURM 14JUN86 CHK 25JUN86	AMP AMP Incorporated Harrisburg, PA 17105-3608
DIMENSIONS (INCHES) 0 PLC ±.0005 1 PLC ±.001 2 PLC ±.0015 3 PLC ±.002 4 PLC ±.0025 ANGLES ±.005	DIMENSIONS (MILLIMETERS) 0 PLC ±.01 1 PLC ±.02 2 PLC ±.03 3 PLC ±.04 4 PLC ±.05 ANGLES ±.1	APPD J. MECKLEY 25JUN86 PRODUCT SPEC 108-13014 APPLICATION SPEC	NAME TERMINAL ASSEMBLY, QUICK-DISCONNECT, AMP POWER, WIRE SIZE: 400 MCM
MATERIAL BODY & PINS SILVER PL BRASS PER QQ-B-526 FINISH 0.00127E.000005 MIN THK PER QQ-S-365	WEIGHT - Lbs CUSTOMER DRAWING	SIZE CASE CODE DRAWING NO A2 00779 C-53434	SCALE 1:1 SHEET 1 OF 1 REV C