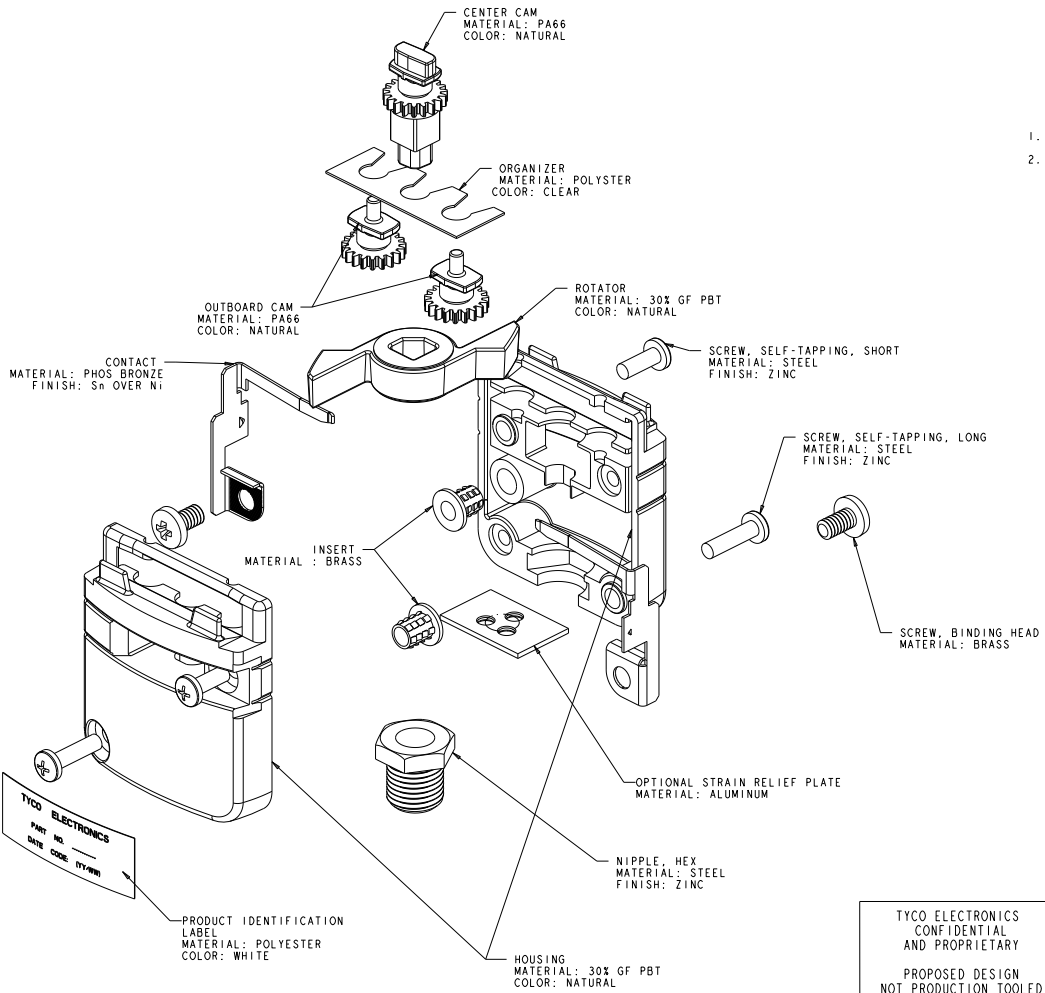
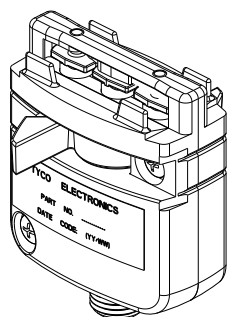


REV	DATE	DESCRIPTION	BY	CHK
1		PROPOSED	PHO2009	APB
2		REVISED	PHO2009	RB SH
3		ADD STRAIN RELIEF PLATE	PHO2009	BYS SH



1. DIRECTIVE 2002/95/EC (ROHS)
2. PRODUCT HAS NOT COMPLETED VALIDATION TESTING



EXPLODED VIEW FOR REFERENCE ONLY

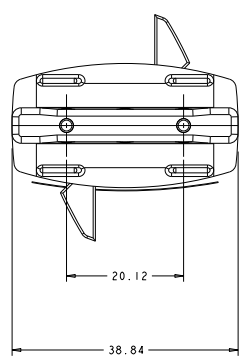
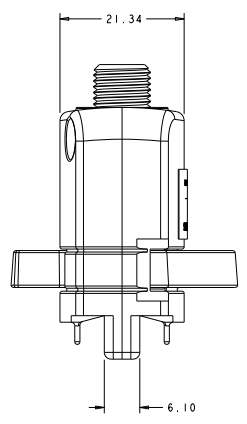
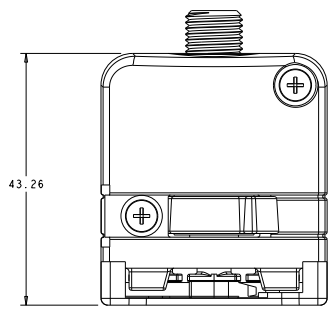
EXPLODED VIEW FOR REFERENCE ONLY

TYCO ELECTRONICS
 CONFIDENTIAL
 AND PROPRIETARY
 PROPOSED DESIGN
 NOT PRODUCTION TOOLED
 DESIGN IS SUBJECT TO
 CHANGE WITHOUT NOTICE

2106710 PART NO.	
093E2009 REV. 05 08/20/2018 PHO2009	Tyco Electronics Harrisburg, PA 17105-3600
DC SILHOUETTE CONNECTOR ASSEMBLY	STATE: PA COUNTY: YORK CITY: HARRISBURG
CUSTOMER DRAWING	PART NO. 2106710 REV. 05 DATE 08/20/2018 DRAWN BY PHO2009 CHECKED BY RB SH APPROVED BY BYS SH

8 7 6 5 4 3 2 1
 ALL DIMENSIONS IN MILLIMETERS
 RELEASED FOR FABRICATION
 © 2016 TYCO BY TYCO ELECTRONICS CORPORATION. ALL RIGHTS RESERVED

REVISOR		REVISIONS	
REV	DATE	DESCRIPTION	BY
1		SEE SHEET 1	



TYCO ELECTRONICS
 CONFIDENTIAL
 AND PROPRIETARY
 PROPOSED DESIGN
 NOT PRODUCTION TOOLED
 DESIGN IS SUBJECT TO
 CHANGE WITHOUT NOTICE

TITLE: DC SILHOUETTE CONNECTOR ASSEMBLY PART NO: 093E2009 REV: 1 DATE: 08/24/16 DRAWN BY: [Name] CHECKED BY: [Name] APPROVED BY: [Name]		Tyco Electronics Harrisburg, PA 17105-3600 DC SILHOUETTE CONNECTOR ASSEMBLY STATE: PA COUNTY: YORK ZIP: 17105-3600 PHONE: 717-531-2100 FAX: 717-531-2101 E-MAIL: [Email]	
MATERIAL: [Material] FINISH: [Finish]		SCALE: 3:1 SHEET: 2 OF 3 CUSTOMER DRAWING	