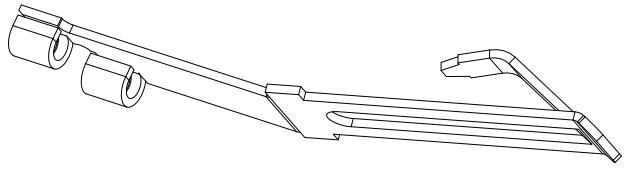
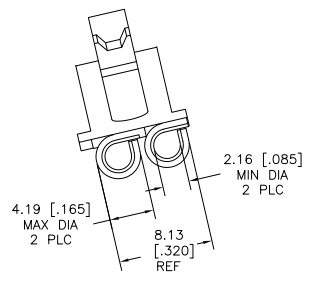
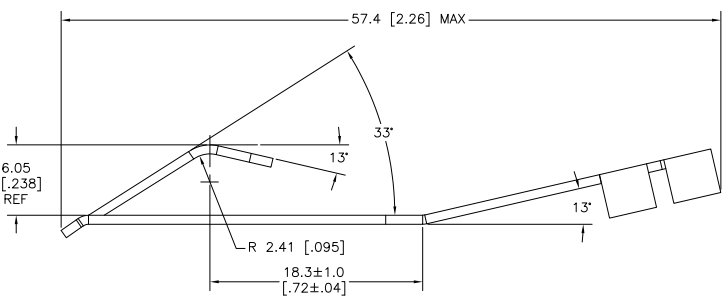
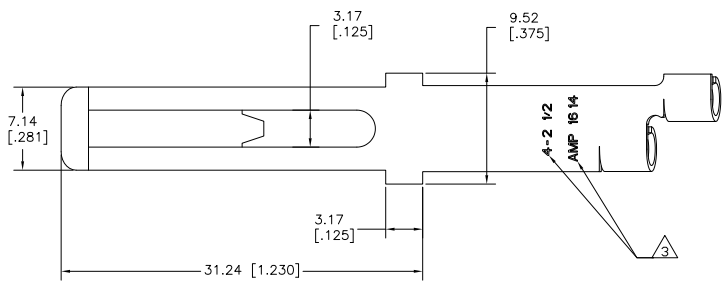


THIS DRAWING IS UNPUBLISHED
 ALL INFORMATION HEREON IS UNCLASSIFIED
 EXCEPT WHERE SHOWN OTHERWISE

| REV | DATE | DESCRIPTION | BY | APP |
|-----|------|---------------------------------|---------|-------|
| 02 | | | | |
| 01 | | REV A. REDMAN PER ECR 09-011654 | 28MAY09 | JR TM |

- 1 MATERIAL: PHOS BRONZE 0.79 [.031] THICK
- 2 SILVER PLATE
- 3 TEXT IS ON SIDE OF PART SHOWN.



50271
 PART NO.

| | | | | | |
|---|--|-----------------------------|--|----------------------|--|
| THIS DRAWING IS A CONTROLLED DOCUMENT. | | DATE: 09-01-16 | | REV: 02 | |
| DRAWN BY: J. MICHELLETTI | | CHECKED BY: J. MICHELLETTI | | DATE: 09-01-16 | |
| DESIGNED BY: J. MICHELLETTI | | APPROVED BY: J. MICHELLETTI | | DATE: 09-01-16 | |
| MATERIAL: PHOS BRONZE 0.79 [.031] THICK | | FINISH: SILVER PLATE | | WIRE SIZE: 16-14 AWG | |
| PART NO: 50271 | | REV: 02 | | DATE: 09-01-16 | |
| CUSTOMER DRAWING | | A100779 | | G=50271 | |