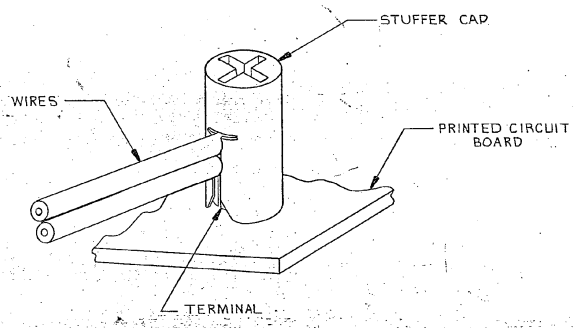
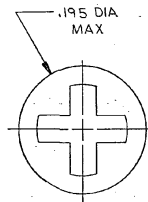
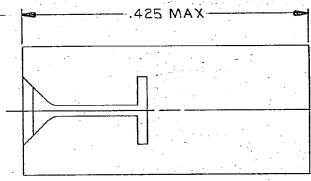


DRAWING MADE IN THIRD ANGLE PROJECTION

© COPYRIGHT 1975 BY AMP INCORPORATED, HARRISBURG, PA.
 ALL INTERNATIONAL RIGHTS RESERVED. AMP INCORPORATED PRODUCTS
 COVERED BY U. S. AND FOREIGN PATENTS AND/OR PATENTS PENDING.

LOC	DIST	REVISONS	
AA	27	DATE	APPROVED
P	F	ZONE	LTR
E		OBS: 5/1/EC 0502-0222-96	DATE
			APPROVED
			03
			40

I. RECOMMENDED INSERTION TOOL: NO. 2
 PHILLIPS SCREWDRIVER.



DETAIL A
 FOR REFERENCE ONLY

LOOSE PIECE	NATURAL YELLOW	552699	24-28 18-22	3
PACKAGING	COLOR	TERM PART NO	WIRE GAGE	PART NO

UNLESS OTHERWISE SPECIFIED DIMENSIONS ARE IN INCHES. TOLERANCES ON: DECIMALS ± ANGLES	CONTRACT NO	AMP INCORPORATED HARRISBURG, PA.		
	DR: <i>Victor E. Shaw</i> 12/29/78 CHK: <i>R. Reich</i> 1/2/79	NAME	CAP, STUFFER, .125 DIA	
MATERIAL NYLON 6/6	APPD: <i>V. G. Vandenhouwer</i> 1-2-79 APPD	SIZE	CODE IDENT NO	DRAWING NO.
FINISH	DSGN APPD	C	00779	230707
	OTHER APPD: <i>R. Reich</i> 1/2/79	SCALE	10-1	SHEET 1 OF 1

CUSTOMER DRAWING

WAS 1222-77-27

AMP 1471-6 (7-75)

230707