

4

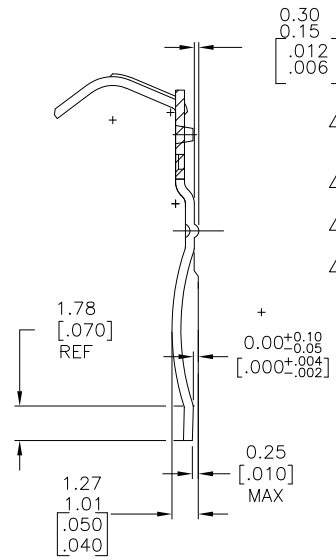
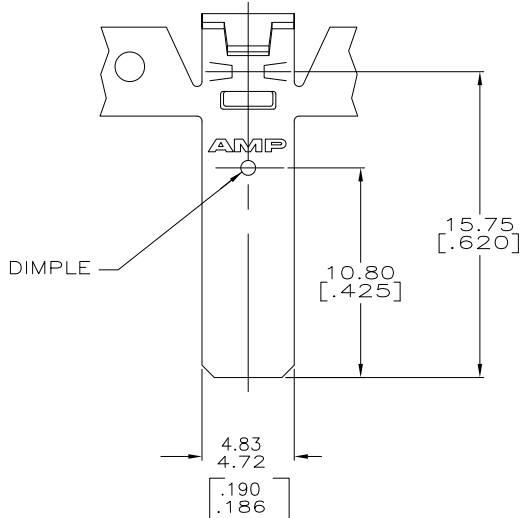
3

2

1

THIS DRAWING IS UNPUBLISHED. RELEASED FOR PUBLICATION
 © COPYRIGHT - BY TYCO ELECTRONICS CORPORATION. ALL RIGHTS RESERVED.

LOC		DIST		REVISIONS			
P	LTR	DESCRIPTION		DATE	DWN	APVD	
	D2	REVISED PER ECR-07-029763		04JAN08	HMR	GP	



- 1 PRODUCT PROVIDED IN STRIP FORM ON SPLICE FREE REELS.
- 2 0.00381 [.000150] MIN SILVER PLATE.
- 3 0.00508-0.01016 [.0002-.0004] SILVER PLATE.
- 4 PRELIMINARY - NOT FOR PRODUCTION.

STYLE	FINISH	WIRE RANGE	PART NUMBER
LOOSE PIECE	3	#20 - #14 AWG	62008-6
1	3	#20 - #14 AWG	62008-5
LOOSE PIECE	-	#20 - #14 AWG	62008-4
1	2	#20 - #14 AWG	62008-2
1	-	#20 - #14 AWG	62008-1

0.457±0.025
 [.018±.001]

THIS DRAWING IS A CONTROLLED DOCUMENT.

DWN PHILLIP M. FORTNEY 28JAN1999	CHK JEFF R RUTH 29JAN1999	APVD DON DECKER 29JAN1999	Tyco Electronics Corporation Harrisburg, PA 17105-3608	
DIMENSIONS: mm		TOLERANCES UNLESS OTHERWISE SPECIFIED:		NAME BRUSH CONTACT, TAB-LOCK RIGHT HAND
0 PLC ± -		1 PLC ± -		
1 PLC ± -		2 PLC ± 0.25[.010]		SIZE A3
2 PLC ± -		3 PLC ± -		
3 PLC ± -		4 PLC ± -		CAGE CODE 00779
4 PLC ± -		ANGLES ± -		
MATERIAL T3 PHOS BRONZE		FINISH SEE TABLE		DRAWING NO 62008
WEIGHT		RESTRICTED TO		
CUSTOMER DRAWING			SCALE 5:1	SHEET 1 OF 1
			REV D2	