

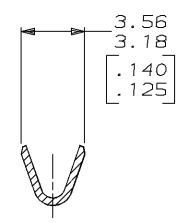
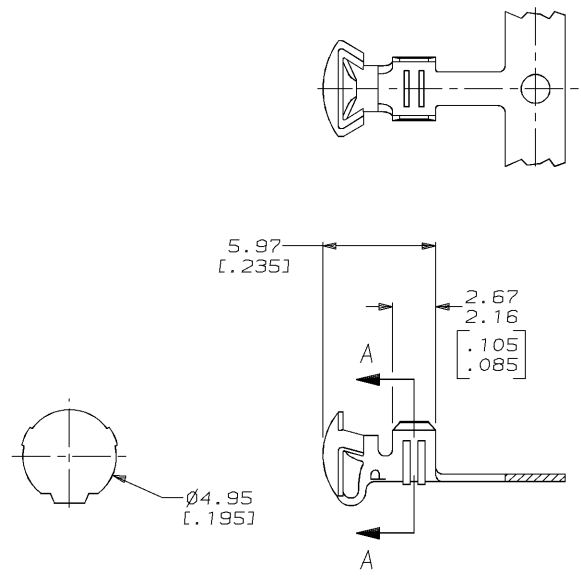
DRAWING MADE IN THIRD ANGLE PROJECTION

THIS DRAWING IS UNPUBLISHED. RELEASED FOR PUBLICATION, 19 .

© COPYRIGHT 19 BY AMP INCORPORATED. ALL INTERNATIONAL RIGHTS RESERVED.

LOC	DIST	REVISIONS				DATE	APPD
P	F	ZONE	LTR	DESCRIPTION			
AF	50		J	REV PER 0710-0427-95	27/SEP/95	PF DS	

1. WIRE RANGE: 0.5 - 1.4 mm² [20 - 16 AWG].
2. DIMENSION IN BRACKETS ARE IN INCHES.



SECTION A-A

METRIC

THIS DRAWING IS A CONTROLLED DOCUMENT FOR AMP INCORPORATED. IT IS SUBJECT TO CHANGE AND THE CONTROLLING ENGINEERING ORGANIZATION SHOULD BE CONTACTED FOR THE LATEST REVISION.

MINI	61280-2
STANDARD	61280-1
APPLICATOR TYPE	PART NO

DO NOT SCALE PRINT. UNLESS SPECIFIED DIMENSIONS IN mm [INCHES] TOLERANCES ON: 1. PLG DEC ± 0.13 [.005] 2. PLG DEC ± - ANGLES ± -	DR 2-16-94	AMP AMP Incorporated Harrisburg, PA 17105-3608 NAME BUTTON CONTACT		
	T. BECK			
	CHK 2-16-94			
	R. SWING			
MATERIAL	APPD 4-03-95	SIZE	CAGE CODE	DRAWING NO
0.41 [.016] BRASS	R. GRAY	B	00779	C=61280
FINISH	PRODUCT SPEC	SCALE	SHEET	
-	-	5:1	1 OF 1	
WEIGHT	APPLICATION SPEC	CUSTOMER DRAWING		
-	-			