

4

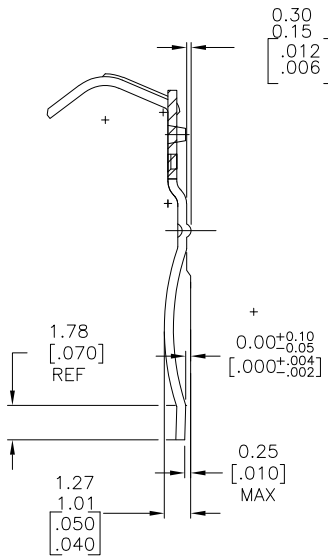
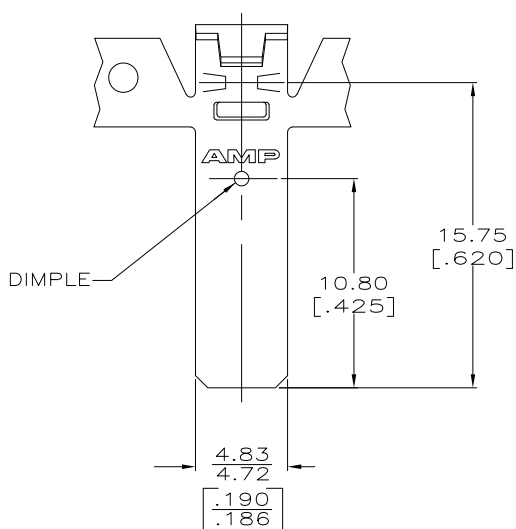
3

2

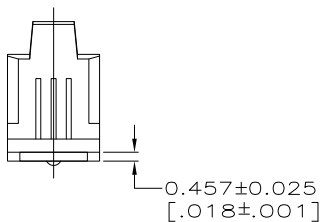
1

THIS DRAWING IS UNPUBLISHED. RELEASED FOR PUBLICATION
 © COPYRIGHT - BY TYCO ELECTRONICS CORPORATION. ALL RIGHTS RESERVED.

LOC	DIST	REVISIONS			
P	LTR	DESCRIPTION	DATE	DWN	APVD
AF	50				
	D4	REVISED PER ECR-08-018166	29JUL08	HMR	EH



- 1 PRODUCT PROVIDED IN STRIP FORM ON SPLICE FREE REELS.
- 2 REVERSE REEL OF 62008-1 AND 62008-2.
- 3 PRE-PRODUCTION - FASR REQUIRED
- 4 SAME AS 62009-1 EXCEPT SPECIAL PACKAGING FOR INTERNATIONAL SHIPMENT



0.00203[.00080] MIN TIN		20-14 AWG	4 62009-5
0.00381[.000150] MIN SILVER			3 62009-4
FINISH		WIRE RANGE	2 62009-2
			2 62009-1
			PART NUMBER
THIS DRAWING IS A CONTROLLED DOCUMENT.		DWN PHILLIP M. FORTNEY 28JAN1999	Tyco Electronics Corporation Harrisburg, PA 17105-3608
DIMENSIONS: mm [NCHESES]		CHK JEFF R. RUTH 29JAN1999	NAME
TOLERANCES UNLESS OTHERWISE SPECIFIED:		APVD DON DECKER 28JAN1999	BRUSH CONTACT, TAB-LOCK LEFT HAND
0 PLC ± -	1 PLC ± -	PRODUCT SPEC	SIZE CAGE CODE DRAWING NO
2 PLC ± 0.25[.010]	3 PLC ± -	APPLICATION SPEC	RESTRICTED TO
4 PLC ± -	ANGLES ± -	WEIGHT	A3 00779 C=62009
MATERIAL T3 PHOS BRONZE	FINISH SEE TABLE	CUSTOMER DRAWING	SCALE 5:1 SHEET 1 of 1 REV D4

AMP 1470-19 REV 31MAR2000