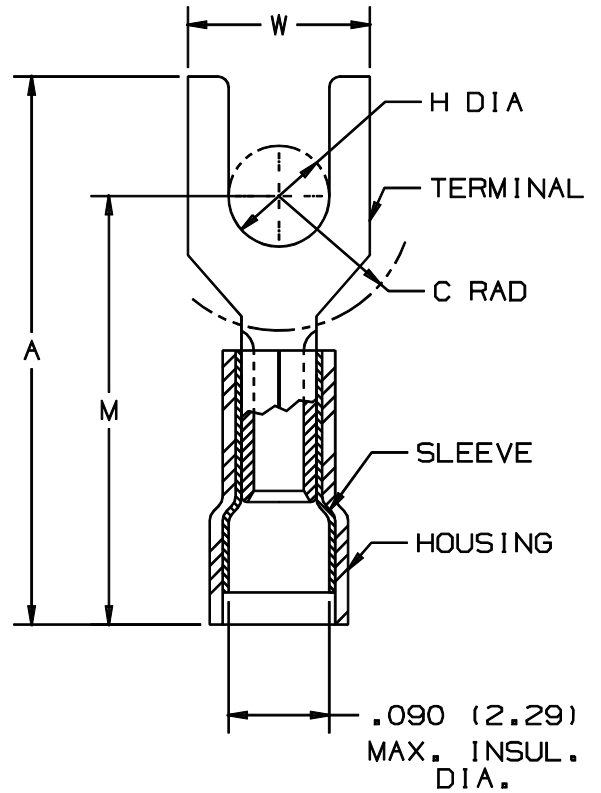


THIS COPY IS PROVIDED ON A RESTRICTED BASIS AND IS NOT TO BE USED IN ANY WAY DETRIMENTAL TO THE INTERESTS OF PANDUIT CORP.

PANDUIT PART NUMBER	STUD SIZE	DIMENSIONS in.				
		A $\pm .03$	W $\pm .01$	C $\pm .02$	M $\pm .03$	H $\pm .01$
PN22-4F	#4	.67 (17.02)	.20 (5.08)	.21 (5.33)	.57 (14.49)	.12 (3.05)
PN22-6F	#6	.77 (19.56)	.25 (6.35)	.26 (6.60)	.63 (16.00)	.15 (3.81)

NOTES:

- RECOMMENDED FOR:
  - A. 300V. MAX. VOLTAGE RATING
  - B. #26-22 AWG SOLID OR STRANDED COPPER WIRE
  - C. 221° F (105° C) MAX. TEMP. RATING
- MATERIAL:
  - A. STAMPING - .020 (0.51) THK COPPER, TIN PLATED
  - B. HOUSING - NYLON, YELLOW
  - C. SLEEVE - BRASS, TIN PLATED
- PACKAGE QTY: STD. PKG. - C = 100  
BULK PKG. - M = 1000
- DIMENSIONS IN BRACKETS ARE IN MILLIMETERS
- INSTALLATION TOOLS: CT-520
- WIRE STRIP LENGTH:  $3/16" \pm 1/32" (4.8 \pm 0.8)$ .



A41235\_06

06	1/01	KMD		CAD FILE SPEC. WAS N41235AA_PCD_05						<b>PANDUIT</b> CORP. TINLEY PARK, ILLINOIS #26-22 BARREL NYLON INSULATED FORK, .090 (2.29) MAX. WIRE INSUL. DIA.	
05	2/96	ED		REVISIONS TO NOTES AND TABLE SPEC.S FILESPEC WAS: A41235A.PRT	04036						
04	7/88	DW		REDRAWN WITH REVISIONS							
REV	DATE	BY	CHK	DESCRIPTION	ECN #	CUST	PM	DRAWN BY DAW	CHK'D	SCALE NONE	DRAWING NO. A41235