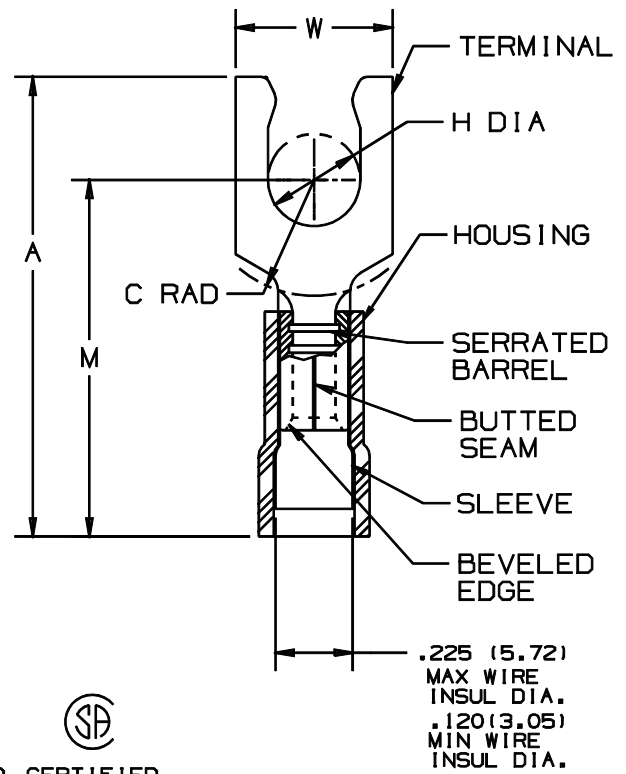


THIS COPY IS PROVIDED ON A RESTRICTED BASIS AND IS NOT TO BE USED IN ANY WAY DETRIMENTAL TO THE INTERESTS OF PANDUIT CORP.

PANDUIT PART NUMBER	STUD SIZE	DIMENSIONS in.				
		A $\pm .04$	W $\pm .01$	C MIN	M $\pm .04$	H $\pm .01$
PN10-6LF	#6	1.02 (25.91)	.30 (7.62)	.23 (5.84)	.79 (20.07)	.14 (3.56)
PN10-8LF	#8	1.05 (26.67)	.30 (7.62)	.23 (5.84)	.79 (20.07)	.16 (4.06)
PN10-10LF	#10	1.05 (26.67)	.34 (8.64)	.23 (5.84)	.79 (20.07)	.19 (4.83)
PN10-14LF	1/4"	1.17 (29.72)	.46 (11.68)	.32 (8.13)	.90 (22.86)	.25 (6.35)

NOTES:

- UL LISTED AND CSA CERTIFIED FOR:
 - 600V. MAX. BLDG WIRE
(1000 V. MAX IN SIGNS, FIXTURES & LUMINARIES)
 - #14-10 AWG SOLID OR STRANDED
COPPER WIRE WITH THE CT-550
INSTALLATION TOOL.
 - #12-10 AWG STRANDED AND NO.12 AWG
SOLID COPPER WIRE WITH THE CT-1550
AND CT-1551 INSTALLATION TOOLS.
 - 221°F (105°C) MAX TEMP. RATING
- MATERIAL:
 - STAMPING - .04" (1.02) THK COPPER, TIN PLATED
 - HOUSING - NYLON, YELLOW
 - SLEEVE - BRASS, TIN PLATED
- STRIP LENGTH - 9/32 $\pm 1/32$ ₀
- PACKAGE QTY:
 - L=50
 - D=500
- DIMENSIONS IN BRACKETS ARE IN MILLIMETERS



LISTED 587H E52164
CERTIFIED LR31212

A41292-08

08	1/01	RM		FILESPEC WAS N41291AA_PCD_07				CORP. TINLEY PARK, ILLINOIS			
7	5/99	ED		UPDATED "A" & "M" DIM.S, AND MODIFIED DIMENSIONAL TOLERANCES	07660						
6	12/96	JAMB	RLS	ADDED DIM. "MIN WIRE INSUL DIA." UPDATED NOTES	05433	LA	DBH	#12-10 BARREL NYLON INSULATED LOCKING FORK, .225 (5.72) MAX. WIRE INSULATION DIAMETER			
5	9/94	MS	RLS	REVISED NOTES AND DIMENSIONS	02478	TJP	JM				
REV	DATE	BY	CHK	DESCRIPTION	ECN	CUST	PM	DRAWN BY DAW	CHK'D LA	SCALE NONE	DRAWING NO. A41292