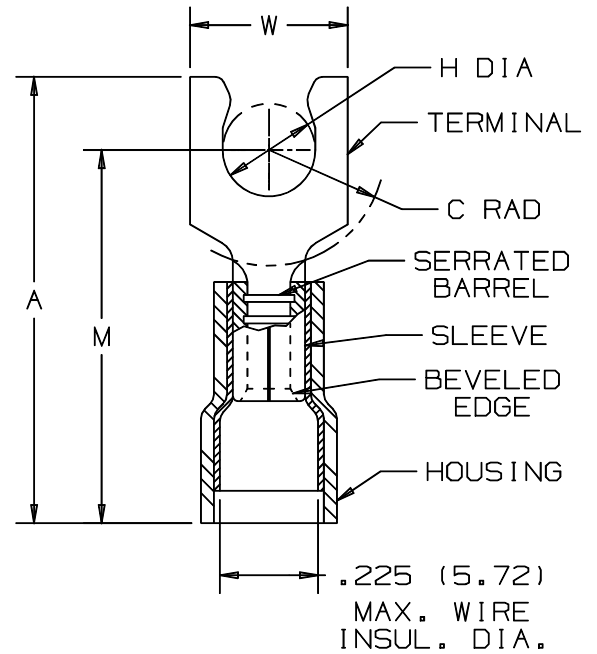


THIS COPY IS PROVIDED ON A RESTRICTED BASIS AND IS NOT TO BE USED IN ANY WAY DETRIMENTAL TO THE INTERESTS OF PANDUIT CORP.

PANDUIT PART NUMBER	STUD SIZE	DIMENSIONS in.				
		A $\pm .040$	W $\pm .010$	C $\pm .015$	M $\pm .040$	H $\pm .010$
PN10-5SLF	#5	.86 (21.84)	.25 (6.35)	.22 (5.59)	.75 (19.05)	.12 (3.05)
PN10-6SLF	#6	.86 (21.84)	.25 (6.35)	.22 (5.59)	.75 (19.05)	.14 (3.56)
PN10-8SLF	#8	.92 (23.37)	.29 (7.37)	.26 (6.60)	.79 (20.07)	.16 (4.06)
PN10-10SLF	#10	.92 (23.37)	.33 (8.38)	.26 (6.60)	.79 (20.07)	.19 (4.83)
PN10-14SLF	1/4"	1.01 (25.65)	.45 (11.43)	.33 (8.38)	.85 (21.59)	.25 (6.35)

NOTES:

- UL LISTED AND CSA CERTIFIED FOR:
  - 300V. MAX. VOLTAGE RATING
  - #12-10 AWG STRANDED COPPER WIRE
  - 221° F (105° C) MAX. TEMP. RATING
- MATERIAL:
  - STAMPING - .04" (1.02) THK COPPER, TIN PLATED
  - HOUSING - NYLON, YELLOW
  - SLEEVE - BRASS, TIN PLATED
- PACKAGE QTY: STD. PKG. 50  
BULK PKG. 500
- DIMENSIONS IN BRACKETS ARE IN MILLIMETERS
- INSTALLATION TOOLS:
  - UL LISTED AND CSA CERTIFIED: CT-550, CT-1550 & CT-1551



LISTED  
587H  
E52164



CERTIFIED  
LR31212

A41250\_05

05	1/01	KMD		CAD FILE SPEC. WAS N41250AA_PCD_04				<p>TINLEY PARK, ILLINOIS</p> <p>#12-10 BARREL NYLON INSULATED SHORT LOCKING FORK, .225 (5.72) MAX WIRE INSULATION DIAMETER</p>
04	5/99	ED		UPDATED "A" & "M" DIM.S, AND MODIFIED DIMENSIONAL TOLERANCES				
	----	----	----	FILESPEC WAS: A41250_03				
03	4/99	JKD	SKB	ADDED CT-1550 & CT-1551 TO NOTE 5	07581	JCJ	CTN	
REV	DATE	BY	CHK	DESCRIPTION	ECN	APP	PM	DRAWN BY: DAW CHK'D: CJH SCALE: NONE DRAWING NO.: A41250