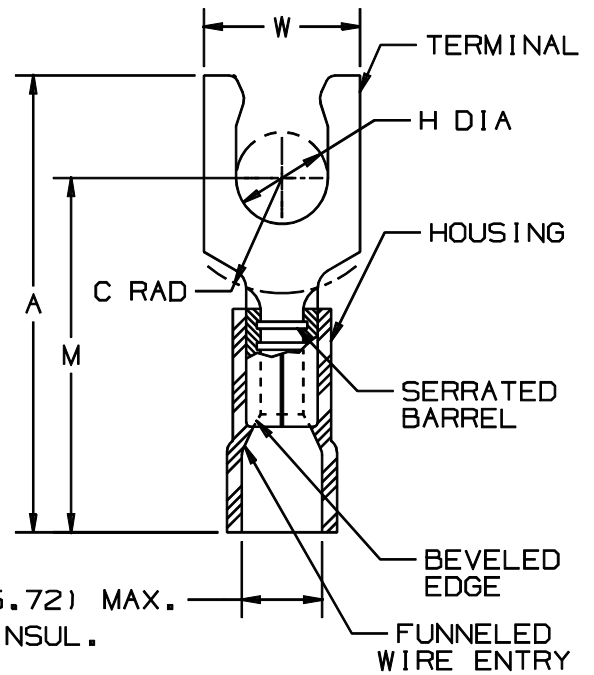


THIS COPY IS PROVIDED ON A RESTRICTED BASIS AND IS NOT TO BE USED IN ANY WAY DETRIMENTAL TO THE INTERESTS OF PANDUIT CORP.

PANDUIT PART NUMBER	STUD SIZE	DIMENSIONS in.				
		A $\pm .03$	W $\pm .01$	C $\pm .02$	M $\pm .03$	H $\pm .01$
PV10-6LF	#6	1.03 (26.16)	.30 (7.62)	.23 (5.84)	.80 (20.32)	.14 (3.56)
PV10-8LF	#8	1.05 (26.67)	.30 (7.62)	.23 (5.84)	.80 (20.32)	.16 (4.06)
PV10-10LF	#10	1.04 (26.42)	.34 (8.64)	.23 (5.84)	.80 (20.32)	.19 (4.83)
PV10-14LF	1/4"	1.19 (30.23)	.46 (11.68)	.36 (9.14)	.90 (22.86)	.25 (6.35)

NOTES:

- UL LISTED AND CSA CERTIFIED FOR:
 - 600V. MAX. VOLTAGE RATING (1000V. MAX. IN SIGNS, FIXTURES & LUMINARIES)
 - 221°F (105°C) MAX. TEMP. RATING
 - #12-10 STRANDED COPPER WIRE ONLY
- PACKAGE QTY: STD. PKG. -L=50
BLK. PKG. -D=500
- MATERIAL:
 - STAMPING - .04 (1.02) THK. COPPER TIN PLATED
 - HOUSING - VINYL, YELLOW
- DIMENSIONS IN BRACKETS ARE IN mm.
- INSTALLATION TOOLS: CT-550, CT-1550, CT-1551
- WIRE STRIP LENGTH: 5/16 $\frac{1}{32}$ 0



LISTED
587H
E52164



CERTIFIED
LR31212

A41226_09

09	1/01	KMD		CAD FILE SPEC. WAS N41226AA_PCD_08															
08	1/97	JAMB		UPDATE NOTES, MAX WIRE INSUL. DIA. WAS .230	05447														
07	12/94	TH	RLS	UPDATED NOTES AND DIMENSIONS	02705	LA	TFKE												
06	2/91	RH	RLS	REVISED NOTES/TEMP. & TOOLS	00328	LA	KRS												
REV	DATE	BY	CHK	DESCRIPTION	ECN #	CUST	PM	DRWN BY	CHK'D	SCALE	DWG'G NO.								
								DAW	LA	NONE	A41226								

PANDUIT CORP.

TINLEY PARK, ILLINOIS

#12-10 BARREL, FUNNELED VINYL INSULATED LOCKING FORK, .225 (5.72) MAX. WIRE INSUL. DIAMETER