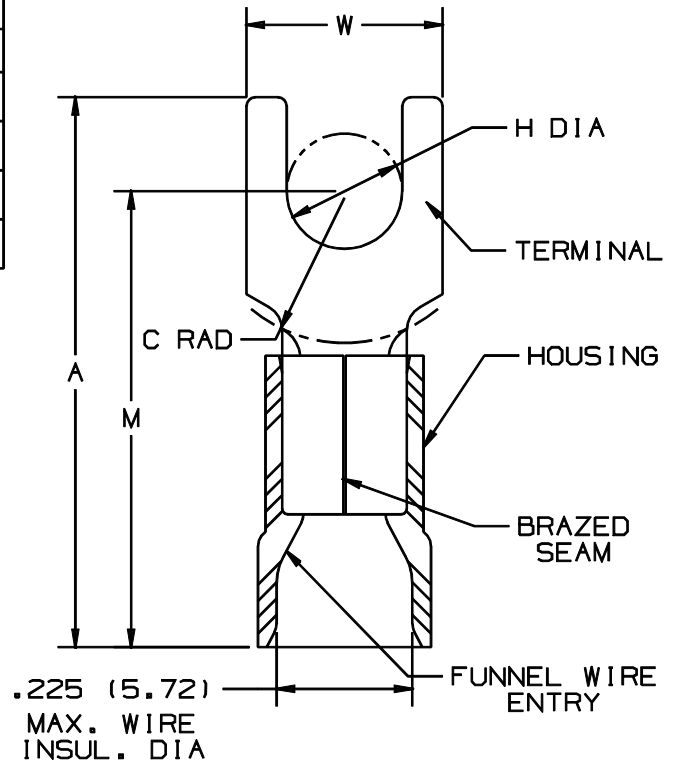


THIS COPY IS PROVIDED ON A RESTRICTED BASIS AND IS NOT TO BE USED IN ANY WAY DETRIMENTAL TO THE INTERESTS OF PANDUIT CORP.

PANDUIT PART NUMBER	STUD SIZE	DIMENSIONS in.				
		A ±.03	W ±.01	C ±.02	M ±.03	H ±.01
PV10-6F	#6	1.01 (25.65)	.31 (7.87)	.25 (6.35)	.81 (20.57)	.14 (3.56)
PV10-8F	#8	1.04 (26.42)	.37 (9.40)	.25 (6.35)	.81 (20.57)	.17 (4.32)
PV10-10F	#10	1.04 (26.42)	.37 (9.40)	.25 (6.35)	.81 (20.57)	.20 (5.08)
PV10-14F	1/4"	1.14 (28.96)	.49 (12.45)	.32 (8.13)	.88 (22.35)	.26 (6.60)



**NOTES:**

1. Used for:

- A. #14-10 AWG Solid or stranded copper wire range, 600V max voltage rating, and 221°F (105°C) max temp rating with CT-550 installation tool #12 str or sol & #10 str w/ CT-1551, CT-1550 installation tool
- B. #12-10 AWG Solid or stranded copper wire range, 300V max voltage rating, and 167°F (75°C) max temp rating with CT-100 installation tool

2. Wire strip length: 5/16 +1/32 -0 (7.9 +0.8 -0)

3. Package Quantity (Suffix to basic part no.)  
 A. Standard -L=50  
 B. Bulk -D=500

4. Material:  
 A. Stamping: .040 (1.02) thick tin plated copper  
 B. Housing: Yellow vinyl

5. Dimensions in brackets are in millimeters



LISTED  
587H  
E52164



CERTIFIED  
LR3122

A41189\_03

03	1/01	KMD		CAD FILE SPEC. WAS N41189AA_PCD_02				 TINLEY PARK, ILLINOIS 2PC. VINYL INSULATED, #12-10 BARREL, FORKS
02	5/99	JKD		ADDED CT-1551 & CT-1550 TOOLS	07634			
01	6-95	MS	RLS	UPDATED NOTES AND DIMENSIONS	03403	LA	KS	
00	3-88	FS	LM	RELEASED		LA	JB	
REV	DATE	BY	CHK	DESCRIPTION	ECN#	CUST	PM	DRAWN BY: FES DR'D: FS SCALE: NONE DRAWING NO.: A41189