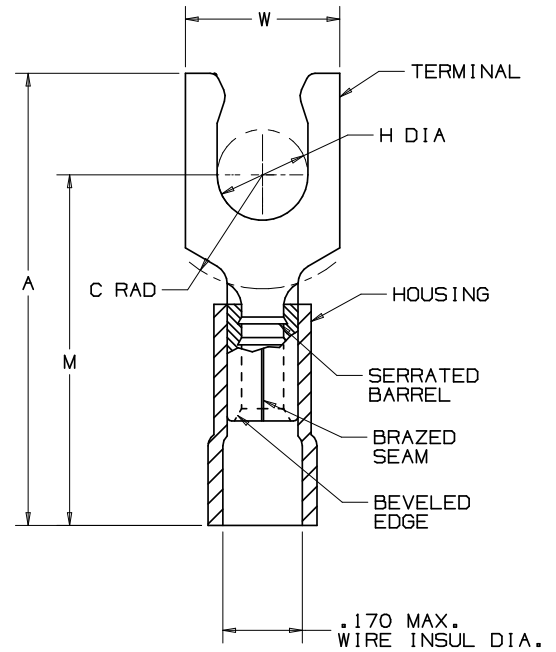


THIS COPY IS PROVIDED ON A RESTRICTED BASIS AND IS NOT TO BE USED IN ANY WAY DETRIMENTAL TO THE INTERESTS OF PANDUIT CORP.

PANDUIT PART NUMBER		STUD SIZE	DIMENSIONS in.				
PREFIX	PK		A $\pm .03$	W $\pm .01$	C $\pm .02$	M $\pm .03$	H $\pm .01$
PV18-6LFX	-C -M -MY	#6	.95 (24.13)	.27 (6.86)	.20 (5.08)	.76 (19.30)	.15 (3.81)
PV18-8LFX	-C -M -MY	#8	1.01 (25.66)	.29 (7.37)	.20 (5.08)	.80 (20.32)	.17 (4.32)
PV18-10LFX	-C -M -MY	#10	1.04 (26.42)	.33 (8.38)	.23 (5.84)	.78 (18.82)	.20 (5.08)

NOTES:

- UL LISTED & CSA CERTIFIED FOR
 - 600 V. MAX. VOLTAGE RATING (1000 V. MAX. IN SIGNS, FIXTURES AND LUMINAIRES.)
 - 22-16 AWG SOLID OR STRANDED COPPER WIRE & 221°F (105°C) MAX TEMP RATING, WITH THE CT-500, CT-1550, CT-1551 & CT-550 INSTALLATION TOOLS.
 - 22-12 AWG SOLID OR STRANDED COPPER WIRE & 167°F (75°C) MAX TEMP RATING WITH THE CT-100 AND CT-250 INSTALLATION TOOLS.
- MATERIAL:
 - STAMPING - .032 (.81) THK COPPER, TIN PLATED
 - HOUSING - VINYL, RED
- STRIP LENGTH 5/16 ^{+1/32} _{-.0}
- PACKAGE QTY.: -C=100/-M=1000 / -MY=1000
- DIMENSIONS IN BRACKETS ARE IN MILLIMETERS



LISTED
587H
E52164



CERTIFIED
LR31212

A41676_02

REV	DATE	BY	CHK	DESCRIPTION	ECN #	QA	CUST	PM	APP	DRAWN BY	CHK'D	SCALE	DRAWING NO.
02	2/05	DAW	DAW	REDRAW BARREL SERRATIONS	TRO0079								
01	5/05	JHNL		ADDED PACKAGING CODE "MY" TO DRAWING.	12743			TRO	LA				
00	6/99	MS	MS	RELEASED	07720			JM	JCJ				
										MS		NONE	A41676

PANDUIT CORP.

TINLEY PARK, ILLINOIS

#22-18 BARREL VINYL INSULATED
LOCKING FORK, .170 MAX.
EXPANDED WIRE INSULATION DIAMETER