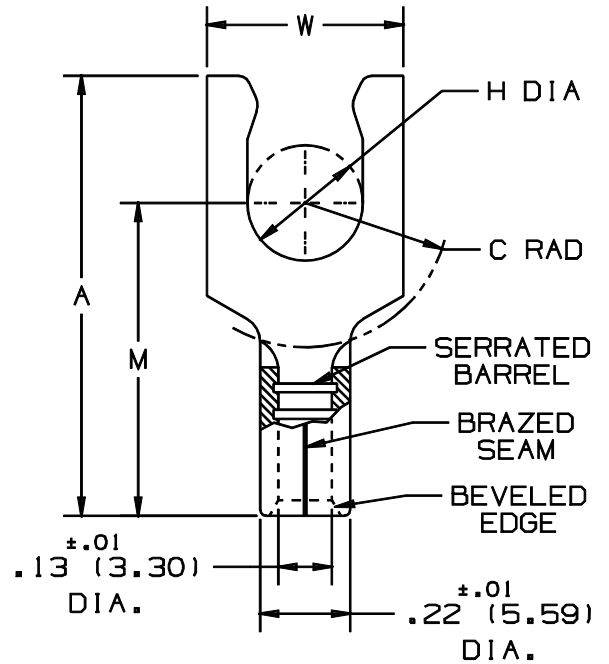


THIS COPY IS PROVIDED ON A RESTRICTED BASIS AND IS NOT TO BE USED IN ANY WAY DETRIMENTAL TO THE INTERESTS OF PANDUIT CORP.

PANDUIT PART NUMBER	STUD SIZE	DIMENSIONS in.				
		A $\pm .02$	W $\pm .01$	C $\pm .02$	M $\pm .02$	H $\pm .01$
P10-6LF	#6	.77 (19.56)	.30 (7.62)	.23 (5.84)	.53 (13.46)	.14 (3.56)
P10-8LF	#8	.79 (20.07)	.30 (7.62)	.23 (5.84)	.53 (13.46)	.16 (4.06)
P10-10LF	#10	.79 (20.07)	.34 (8.64)	.23 (5.84)	.53 (13.46)	.19 (4.83)
P10-14LF	1/4"	.92 (23.37)	.46 (11.68)	.33 (8.38)	.63 (16.00)	.25 (6.35)

NOTES:

- UL LISTED AND CSA CERTIFIED FOR:
 - #14-10 AWG SOLID OR STRANDED COPPER WIRE
 - 302° F (150° C) MAX. TEMP. RATING
- MATERIAL:
 - STAMPING - .04" (1.02) THK COPPER, TIN PLATED
- PACKAGE QTY: STD. PKG. -L=50
BULK PKG. -D=500
- DIMENSIONS IN BRACKETS ARE IN MILLIMETERS
- INSTALLATION TOOLS:
 - UL LISTED AND CSA CERTIFIED: CT-100, CT-200, CT-570, CT-1570
 - PANDUIT APPROVED: CT-160, CT-260
- WIRE STRIP LENGTH: 9/32 $\pm 1/32$ (7.1 $\pm .8$)



A41287_06

06	1-01	RM		FILESPEC WAS N41287AA_PCD_05						 TINLEY PARK, ILLINOIS #12-10 BARREL NON-INSULATED LOCKING FORK	
05		JKD		ADDED CT-1570 TOOL	07632						
4	5-95	MS	RLS	UPDATED NOTES AND DIMENSIONS	03256	KS	LCA				
3	8-88	DW		REDRAWN WITH REVISIONS			JB				
REV	DATE	BY	CHK	DESCRIPTION	ECN #	PM	CUST	DRAWN BY	CHK'D	SCALE	DRAWING NO.
								DAW		NONE	A41287