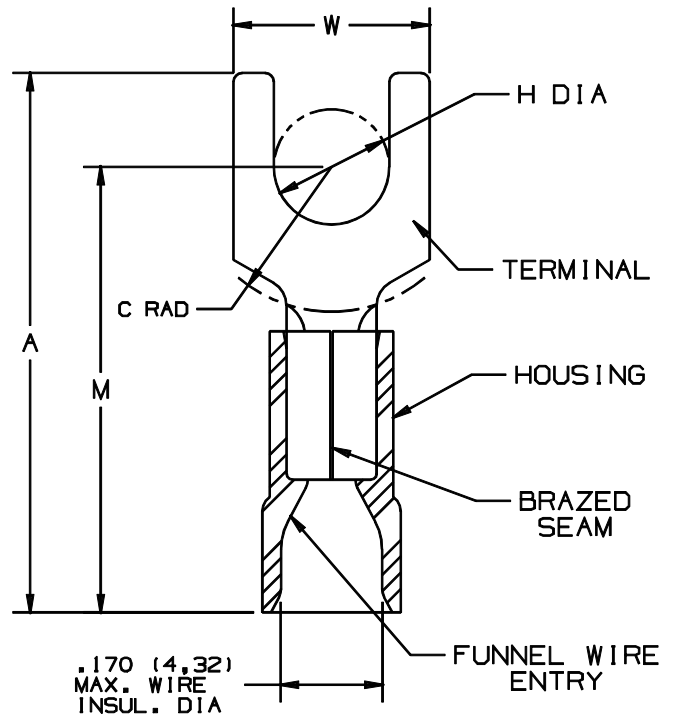


THIS COPY IS PROVIDED ON A RESTRICTED BASIS AND IS NOT TO BE USED IN ANY WAY DETRIMENTAL TO THE INTERESTS OF PANDUIT CORP.

PANDUIT PART NUMBER	STUD SIZE	DIMENSIONS in.				
		A $\pm .03$	W $\pm .01$	C $\pm .02$	M $\pm .03$	H $\pm .01$
PV14-6F	#6	.84 (21,3)	.28 (7,11)	.19 (4,83)	.70 (17,8)	.15 (3,81)
PV14-6FN	#6	.84 (21,3)	.24 (6,10)	.19 (4,83)	.70 (17,8)	.15 (3,81)
PV14-8F	#8	.90 (22,9)	.31 (7,87)	.23 (5,84)	.74 (18,8)	.17 (4,32)
PV14-10F	#10	.92 (23,4)	.34 (8,64)	.24 (6,10)	.76 (19,3)	.20 (5,08)
PV14-10FN	#10	.92 (23,4)	.31 (7,87)	.24 (6,10)	.76 (19,3)	.20 (5,08)
PV14-14F	1/4"	1.09 (26,7)	.44 (11,2)	.32 (8,13)	.84 (21,3)	.27 (6,86)



NOTES:

- UL LISTED & CSA CERTIFIED FOR
 - 600 V. MAX. VOLTAGE RATING (1000 V. MAX. IN SIGNS, FIXTURES AND LUMINAIRES.)
 - 16-14 AWG SOLID OR STRANDED COPPER WIRE & 221°F (105°C) MAX TEMP RATING WITH THE CT-100, CT-1550, CT-1551 INSTALLATION TOOLS.
- MATERIAL:
 - STAMPING - .03 (.08) THK COPPER, TIN PLATED
 - HOUSING - VINYL, BLUE
- STRIP LENGTH 5/16 $\pm 1/32$.0
- PACKAGE QTY:
 - C=100
 - M=1000
- DIMENSIONS IN BRACKETS ARE IN MILLIMETERS.



LISTED
587H
E52164



CERTIFIED
LR31212

A41193_03

03	10/00	EJS		ADDED PART PV14-14F, REMOVED CT-500, CT-550, ADDED CT-1550, CT-1551 TO NOTE 1-B						<p>PANDUIT CORP. TINLEY PARK, ILLINOIS</p> <p>2PC. VINYL INSULATED, #16-14 BARREL, FORKS</p>	
02	1/97	TM	RLS	TEMP RTG. FOR CT-100 WAS 167°F (75°C) REMOVED CT-250, FILESPEC WAS N41193AA_PCD_01	05469	LA	TJBU				
01	10/94	MS	RLS	UPDATED NOTES AND DIMENSIONS		LA	TKE				
R	3/88	FS	LM	RELEASED		LA	JRB				
REV	DATE	BY	CHK	DESCRIPTION	ECN #	CUST	PM	DRAWN BY	CHK'D		SCALE
								FES	FES	NONE	A41193