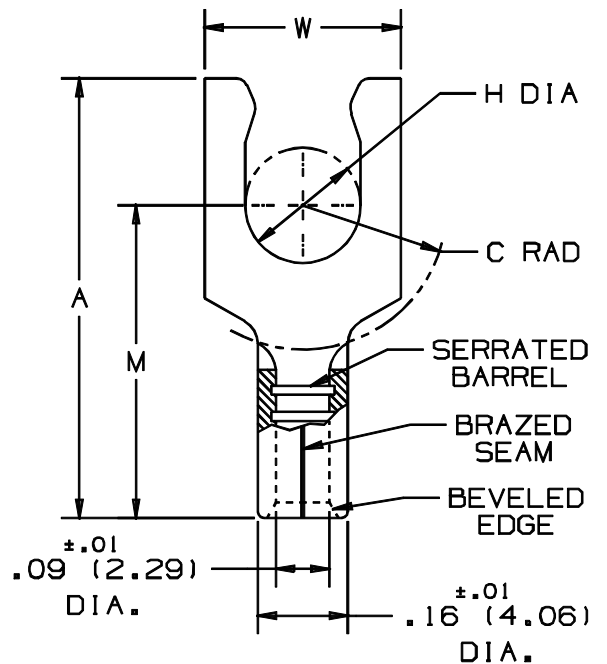


THIS COPY IS PROVIDED ON A RESTRICTED BASIS AND IS NOT TO BE USED IN ANY WAY DETRIMENTAL TO THE INTERESTS OF PANDUIT CORP.

PANDUIT PART NUMBER	STUD SIZE	DIMENSIONS in.			
		A ±.02	W ±.01	C ±.015	M ±.02
P14-6LF	#6	.70 (17.78)	.25 (6.35)	.22 (5.59)	.48 (12.19)
P14-6LFW	#6	.70 (17.78)	.29 (7.37)	.22 (5.59)	.48 (12.19)
P14-8LF	#8	.77 (19.56)	.29 (7.37)	.27 (6.86)	.53 (13.46)
P14-10LF	#10	.77 (19.56)	.33 (8.38)	.27 (6.86)	.53 (13.46)
P14-10LFN	#10	.77 (19.56)	.29 (7.37)	.27 (6.86)	.53 (13.46)

NOTES:

- UL LISTED AND CSA CERTIFIED FOR:
 - 18-14 AWG SOLID OR STRANDED COPPER WIRE
 - 302° F (150° C) MAX. TEMP. RATING
- MATERIAL:
 - STAMPING - .03" (.76) THK COPPER, TIN PLATED
- PACKAGE QTY: STD. PKG.-C=100
BULK PKG.-M=1000
- DIMENSIONS IN BRACKETS ARE IN MILLIMETERS
- INSTALLATION TOOLS:
 - UL LISTED AND CSA CERTIFIED: CT-100, CT-200, CT-270, CT-1570
 - PANDUIT APPROVED: CT-160, CT-260
- WIRE STRIP LENGTH: 9/32 ^{1/32} (7.1 ^{1/8})



LISTED
597H
E52164



CERTIFIED
LR31212

A41054_07

07	1/01	SAB		FILESPEC. WAS N41054AA_PCD_06						 PANDUIT CORP. TINLEY PARK, ILLINOIS	
06		JKD		ADDED CT-1570 TOOL	07632						
--	----	--	RLS	REDRAWN ON CAD	03338	LCA	KS				
05	6/95	MS		UPDATED NOTES AND DIMENSIONS						#16-14 BARREL NON-INSULATED LOCKING FORK	
REV	DATE	BY	CHK	DESCRIPTION	ECN #	CUST	PM	DRAWN BY	CHK'D	SCALE	DRAWING NO.
								MS	RLS	N/A	A41054