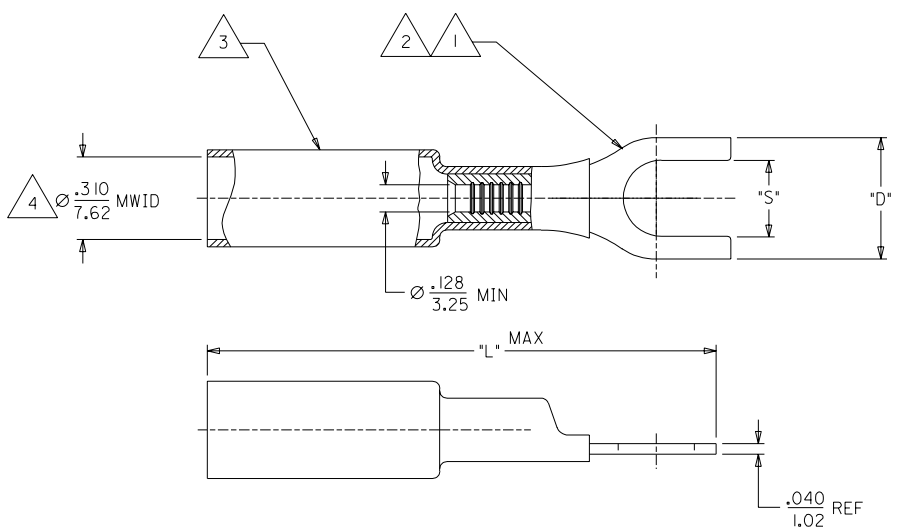


MATERIAL NUMBER	ENGINEERING NUMBER	STUD SIZE	SLOT "S" ± 0.10 ± 0.25	"D" MAX	"L" MAX
191640069	SC-241-06	#6	.146/3.71	.39/9.9	1.39/35.3
191640070	SC-241-08	#8	.173/4.39	.39/9.9	1.39/35.3
191640072	SC-268-10	#10	.198/5.03	.54/13.7	1.57/39.9
191640073	SC-268-14	1/4	.265/6.73	.54/13.7	1.57/39.9



NOTES:

- 1. TERMINAL MATERIAL: COPPER ALLOY
- 2. FINISH: ELECTRO TIN PLATE.
- 3. INSULATION MATERIAL: HEAT SHRINKABLE TUBING WITH HOTMELT ADHESIVE INNER LINER. COLOR: YELLOW
- 4. MWID = MAXIMUM WIRE INSULATION DIAMETER.

SALES DRAWING

NEW RELEASE EC NO. E12003-0079 DRW: BRE 02/12/19 CHK: HEB 02/12/19 APPR: RWD 02/12/19	QUALITY SYMBOLS MAJOR $\nabla = 0$ CRITICAL $\nabla C = 0$	GENERAL TOLERANCES: (UNLESS SPECIFIED) mm INCH		SCALE: NO: NE DRAWN BY & DATE: BRE 02/08/20	DESIGN UNITS: <input type="checkbox"/> mm <input checked="" type="checkbox"/> INCH	THIRD ANGLE PROJECTION	DIMENSIONS: <input type="checkbox"/> mm <input checked="" type="checkbox"/> INCH	SHT: REV REVISE ON CAD ONLY
		4 PLACES ± 0.1 ±. 3 PLACES ± 0.15 ±. 2 PLACES ± 0.2 ±. 1 PLACE ± 0.3 ±.	CHECKED BY & DATE: HEB 02/08/20	TITLE: SPADE TERMINAL PERMA-SEAL 10-12 AWG				
		ANGULARS: ± °	APPROVED BY & DATE: RWD 02/08/20	MOLEX INCORPORATED				
A REV	DESCRIPTION	DRAFT WHERE APPLICABLE MUST REMAIN WITHIN DIMENSIONS		CAD FILENAME: SD-19164-048 DGN	MATERIAL NO.: SEE CHART	DRAWING NO.: SD-19164-048	SHEET NO.: 1 OF 1 SIZE: B	