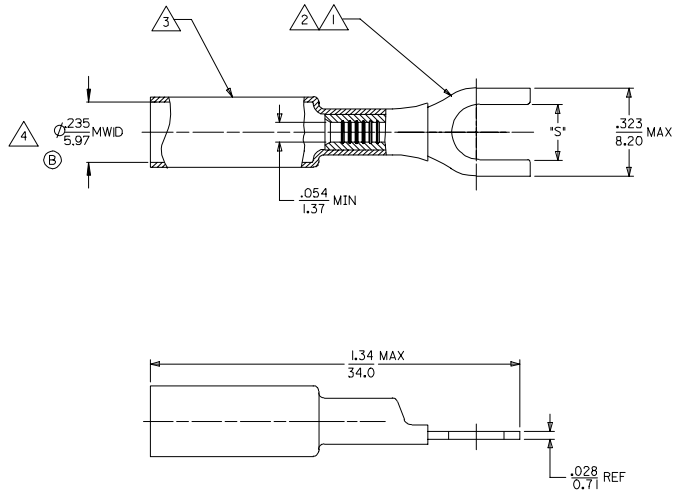


MATERIAL NUMBER	ENGINEERING NUMBER	STUD SIZE	SLOT SIZE "S" ±0.10 ±0.25
191640006	SA-235-06	#6	Ø.146/.3,71
191640007	SA-235-08	#8	Ø.173/.439
191640008	SA-235-10	#10	Ø.198/.5,03



NOTES:

- 1. TERMINAL MATERIAL: COPPER ALLOY
- 2. FINISH: ELECTRO TIN PLATE.
- 3. INSULATION MATERIAL: HEAT SHRINKABLE TUBING WITH HOTMELT ADHESIVE INNER LINER. COLOR: RED.
- 4. MWID = MAXIMUM WIRE INSULATION DIAMETER.

SALES DRAWING

REV	DESCRIPTION	QUALITY SYMBOLS	GENERAL TOLERANCES (UNLESS SPECIFIED)		DIMENSION STYLE		SCALE	DESIGN UNITS	THIRD ANGLE PROJECTION	
			mm	INCH	IN/MM	---	INCH	THIRD ANGLE PROJECTION		
4	PLACES	±	---	±	---	DRAWN BY	DATE	TITLE		
3	PLACES	±	---	±	---	ASAYDEH	05/12/13	SPADE TERMINAL		
2	PLACES	±	---	±	---	CHECKED BY	DATE	NIAC		
1	PLACE	±	---	±	---	JLOMASTRO	05/12/13	22-18 AWG		
						APPROVED BY	DATE	MOLEX INCORPORATED		
						ROERROSS	05/12/13	MOLEX INCORPORATED		
						MATERIAL NO.	DOCUMENT NO.	SHEET NO.		
						SEE CHART	SD-19164-025	1 OF 1		
						THIS DRAWING CONTAINS INFORMATION THAT IS PROPRIETARY TO MOLEX INCORPORATED AND SHOULD NOT BE USED WITHOUT WRITTEN PERMISSION				