

4

3

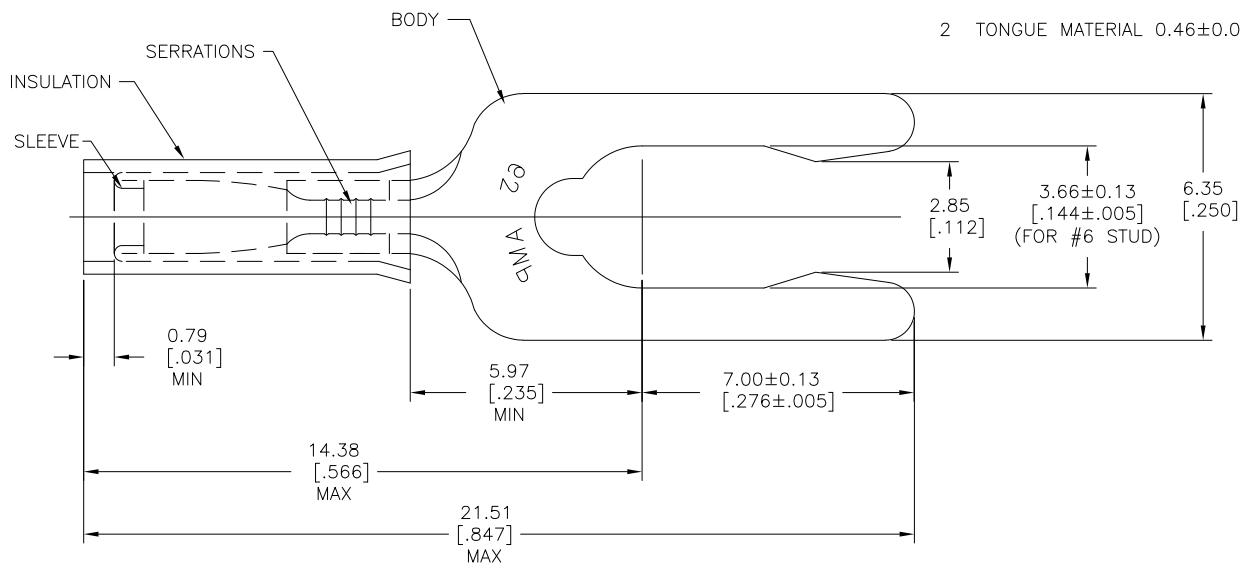
2

1

THIS DRAWING IS UNPUBLISHED. RELEASED FOR PUBLICATION
 COPYRIGHT - BY TYCO ELECTRONICS CORPORATION. ALL INTERNATIONAL RIGHTS RESERVED.

LOC	DIST	REVISIONS			
P	LTR	DESCRIPTION	DATE	DWN	APVD
G	14				
	C2	REVISED PER ECR-10-009503	04MAY10	JR	TM

- FOR 1.27[.050] TO 2.08[.082] WIRE INSULATION DIA
- TONGUE MATERIAL 0.46±0.05[.018±.002]



1	52403 ON TAPE	INSULATION: NYLON COLOR: YELLOW	52403-1
1	WIRE TERMINAL	SLEEVE: COPPER ASTM-B152 BODY: PHOSPHOR BRONZE ASTM-B103 TIN PL ASTM-B545	52403
QTY	DESCRIPTION	MATERIAL & FINISH	PART NO

THIS DRAWING IS A CONTROLLED DOCUMENT.		DWN RAGHAVEDRA 15JUN09	Tyco Electronics Corporation Harrisburg, PA 17105-3608	
DIMENSIONS: mm [INCHES]		CHK JEFF RUTH 15JUN09	NAME TOM MICHIELUTTI	
TOLERANCES UNLESS OTHERWISE SPECIFIED:		APVD TOM MICHIELUTTI 15JUN09	PRODUCT SPEC ---	
0 PLC ± -		APPLICATION SPEC ---	SIZE A3	
1 PLC ± -		WEIGHT ---	CAGE CODE 00779	DRAWING NO 52403
2 PLC ± -		RESTRICTED TO ---		
3 PLC ± 0.20[.008]		SCALE 10:1		
4 PLC ± .5'		SHEET 1 OF 1		
ANGLES ± -		REV C2		
MATERIAL SEE TABLE	FINISH SEE TABLE	CUSTOMER DRAWING		

1470-19 (1/08)