

4

3

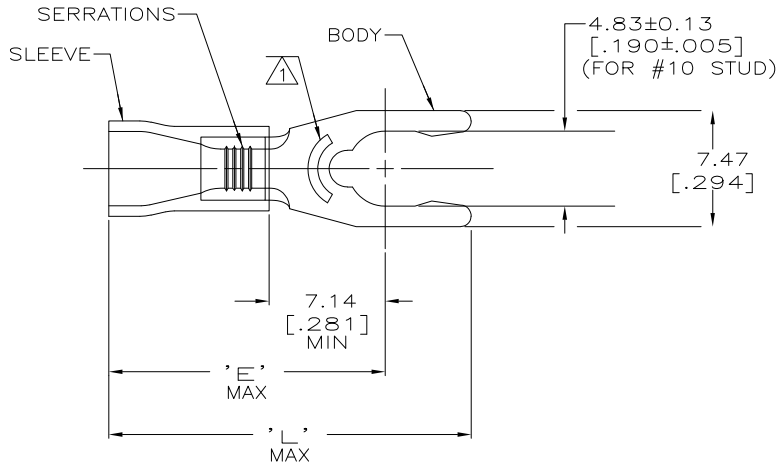
2

1

THIS DRAWING IS UNPUBLISHED. RELEASED FOR PUBLICATION
 © COPYRIGHT - BY TYCO ELECTRONICS CORPORATION. ALL RIGHTS RESERVED.

LOC	DIST	REVISIONS			
P	LTR	DESCRIPTION	DATE	DWN	APVD
G	14	M	REV PER ECR 10-005023	05MAR10	JR TM

AMP WIRE RANGE	Listed	LR7189 Certified
16-14 AWG SOLID OR STRANDED	16-14 AWG SOLID OR STRANDED	16-14 AWG SOLID OR STRANDED



- 1 STAMP 10S AMP 16-14* APPROX AS SHOWN
- 2 SEE TABLE FOR WIRE INSUL DIA
- 3 TONGUE MATERIAL THK IS 0.79±0.05 [.031±.002].
- 4 MATERIAL: BODY - BRASS PER ASTM B-36
SLEEVE - PVC, COLOR - BLUE

"L"	"E"	WIRE INSUL DIA	QTY	PACKAGE TYPE	PART NO.
24.61 [.969]	18.95 [.746]	.150 - .250	2500	ON TAPE, REEL	53245-6
23.37 [.920]	17.70 [.697]	.118 - .195	5000	ON TAPE, REEL	53245-2
			1000	LOOSE PIECE	53245-1

AMP INCORPORATED CUSTOMER SERVICE SYSTEMS		MAX RECOMMENDED OPERATING TEMPERATURE: 105°C [221° F]	THIS DRAWING IS A CONTROLLED DOCUMENT.		DWN DK SCHRUM 12/11/92 CHK RE HERSEY 1/4/93	Tyco Electronics Corporation Harrisburg, Pa 17105-3608				
FOR ADDITIONAL PRODUCT INFORMATION OR COPIES OF DRAWINGS AND TECHNICAL DOCUMENTS	PRODUCT INFORMATION CENTER 1-800-522-6752	VOLTAGE RATING: 600V MAX (1000V FIXTURE OR SIGN)	DIMENSIONS: MM[INCHES]	TOLERANCES UNLESS OTHERWISE SPECIFIED: 0 PLC ± - 1 PLC ± - 2 PLC ± 0.20[.008] 3 PLC ± - 4 PLC ± - ANGLES ± -	APVD M BARNABA 1/4/93	NAME TERMINAL, SPRING SPADE, SHORT, PLASTI-GRIP, WIRE SIZE, 16-14 AWG				
FOR APPLICATION	TOOLING ASSISTANCE CENTER 1-800-722-1111	CIRCULAR MIL AREA: 1.04-2.62mm²[2,050-5,180] SOLID OR STRANDED		MATERIAL - 4	FINISH TIN PER ASTM B545	APPLICATION SPEC UL 486A	SIZE A3	CAGE CODE 00779	DRAWING NO C-53245	RESTRICTED TO
FOR ORDER ENTRY	1-800-526-5142	THIS DRAWING IS A CONTROLLED DOCUMENT FOR AMP INCORPORATED. IT IS SUBJECT TO CHANGE AND THE CONTROLLING ENGINEERING ORGANIZATION SHOULD BE CONTACTED FOR THE LATEST REVISION.		CUSTOMER DRAWING		WEIGHT	SCALE 4:1	SHEET 1 OF 1	REV M	

AMP 1470-19 REV 31MAR2000