

4

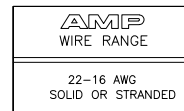
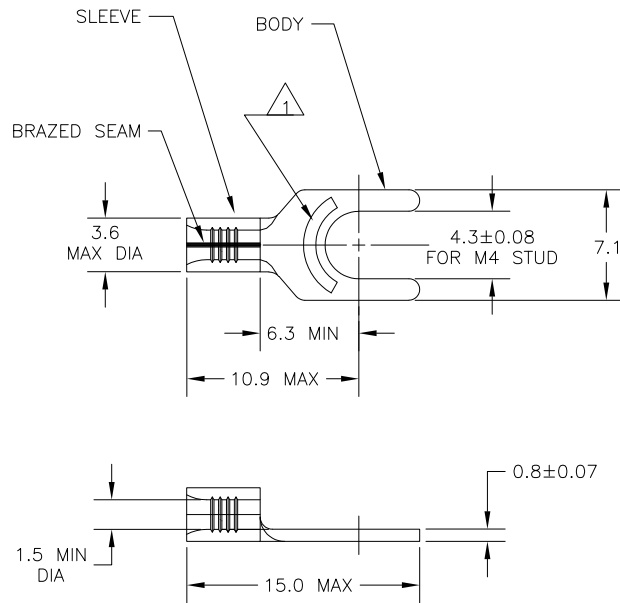
3

2

1

THIS DRAWING IS UNPUBLISHED. RELEASED FOR PUBLICATION  
 © COPYRIGHT - BY TYCO ELECTRONICS CORPORATION. ALL RIGHTS RESERVED.

LOC	DIST	REVISIONS			
P	LTR	DESCRIPTION	DATE	DWN	APVD
	B1	REVISED PER ECR-09-009722	05MAY09	HMR	TM
	B2	REVISED PER ECO-09-020935	29AUG09	KK	AEG



- 1 STAMP "AMP 22-16\*", APPROX AS SHOWN  
 2 OBSOLETE PARTS: OBSOLETE CIS STREAMLINING PER D.RENAUD/D.SINISI

QTY	PACKAGE TYPE	PART NO
100	LOOSE PIECE	<del>8-130519-1</del>
1000	LOOSE PIECE	130519

AMP INCORPORATED CUSTOMER SERVICE SYSTEMS		MAX RECOMMENDED OPERATING TEMPERATURE: 170°C MAX	THIS DRAWING IS A CONTROLLED DOCUMENT.		DWN JR RUTH 06OCT08	Tyco Electronics Corporation Harrisburg, PA 17105-3608	
FOR ADDITIONAL PRODUCT INFORMATION OR COPIES OF DRAWINGS AND TECHNICAL DOCUMENTS	PRODUCT INFORMATION CENTER 1-800-522-6752	VOLTAGE RATING: --	DIMENSIONS: MM INCHES:	TOLERANCES UNLESS OTHERWISE SPECIFIED:	CHK T MICHELUTTI 06OCT08	NAME T MICHELUTTI	
FOR APPLICATION	TOOLING ASSISTANCE CENTER 1-800-722-1111	CIRCULAR MIL AREA: 0.26-1.65mm² [509-3,260] SOLID OR STRANDED			APVD T MICHELUTTI 06OCT08	PRODUCT SPEC TERMINAL, SPADE TONGUE, SOLISTRAND WIRE SIZE: 22-16 AWG	
TOOLING INFORMATION			MATERIAL COPPER PER ASTM B-152	FINISH TIN PL PER ASTM B545	APPLICATION SPEC --	SIZE A3	CAGE CODE 00779
FOR ORDER ENTRY	1-800-526-5142	THIS DRAWING IS A CONTROLLED DOCUMENT FOR AMP INCORPORATED. IT IS SUBJECT TO CHANGE AND THE CONTROLLING ENGINEERING ORGANIZATION SHOULD BE CONTACTED FOR THE LATEST REVISION.			WEIGHT --	DRAWING NO C-130519	RESTRICTED TO --
AMP 1470-19 REV 31MAR2000					CUSTOMER DRAWING		SCALE 4:1
					SHEET 1 OF 1		REV B2