

4

3

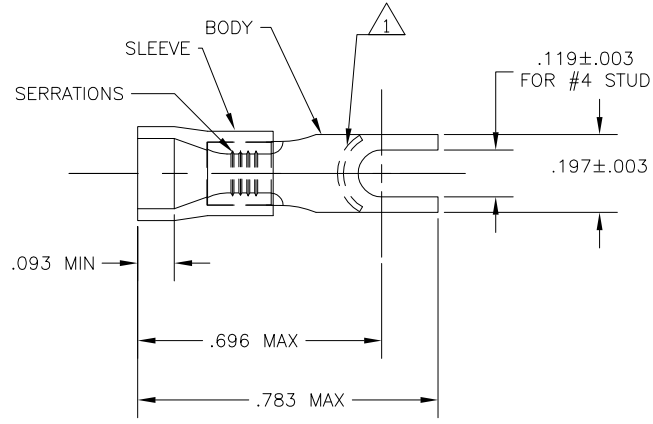
2

1

THIS DRAWING IS UNPUBLISHED. RELEASED FOR PUBLICATION
 © COPYRIGHT - BY TYCO ELECTRONICS CORPORATION. ALL RIGHTS RESERVED.

LOC	DIST	REVISIONS				
P	LTR	DESCRIPTION	DATE	DWN	APVD	
G	86					
A		DRAWN	16FEB06	JR	TM	

- 1 STAMP AMP 16-14, LOCATE APPROX AS SHOWN.
- 2 WIRE INSULATION DIA IS .118-.193
- 3 TONGUE THICKNESS IS .031±.002
- 4 MATERIAL: BODY-CU PER ASTM B152 SLEEVE-PVC, COLOR BLUE



1000	LOOSE PIECE	132528-1
QTY	PACKAGE TYPE	PART NO

THIS DRAWING IS A CONTROLLED DOCUMENT.

DIMENSIONS: INCHES	TOLERANCES UNLESS OTHERWISE SPECIFIED:	DWN jr ruth 16FEB06	Tyco Electronics Corporation Harrisburg, PA 17105-3608					
	0 PLC ± -	CHK T MICHELUTTI 16FEB06						
	1 PLC ± -	APVD T MICHELUTTI 16FEB06						
	2 PLC ± -	NAME						
	3 PLC ± .008	PRODUCT SPEC						
4 PLC ± -	APPLICATION SPEC	SIZE	CAGE CODE	DRAWING NO	RESTRICTED TO			
4 PLC ANGLES ± S'	FINISH	WEIGHT	A3	00779	C=132528	-		
MATERIAL	FINISH	CUSTOMER DRAWING	SCALE	4:1	SHEET	1 of 1	REV	A

AMP 1470-19 REV 31MAR2000