

4

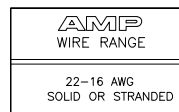
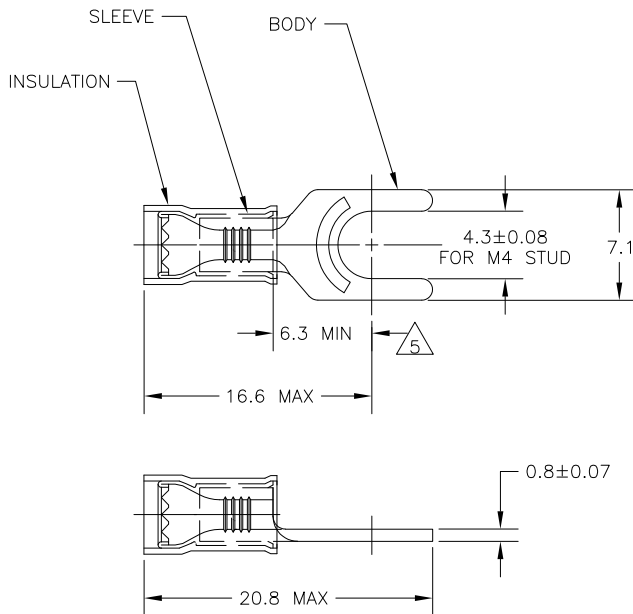
3

2

1

THIS DRAWING IS UNPUBLISHED. RELEASED FOR PUBLICATION
 © COPYRIGHT - BY TYCO ELECTRONICS CORPORATION. ALL RIGHTS RESERVED.

LOC	DIST	REVISIONS				
P	LTR	DESCRIPTION	DATE	DWN	APVD	
	F1	REVISED PER ECR-09-009722	05MAY09	HMR	TM	
	F2	REVISED PER ECO-09-020935	29AUG09	KK	AEG	



- 1 STAMP "AMP 22-16*", APPROX AS SHOWN
- 2 WIRE INSULATION DIA: SEE TABLE
- 3 BODY & SLEEVE: TIN PLATE PER ASTM B545,
- 4 BODY & SLEEVE- CU PER ASTM B152 INSULATION - NYLON, COLOR - RED
- 5 APPLIES FROM EDGE OF METAL WIRE BARREL TO CENTER OF STUD HOLE.
- 6 UL LISTED E13288, 22-16 AWG, SOLID OR STRANDED.
- 7 OBSOLETE PARTS: OBSOLETE CIS STREAMLINING PER D.RENAUD/D.SINISI

7	OBSOLETE	6	2.0mm-3.2mm	ON TAPE, REEL	2-130516-1
7	OBSOLETE	6	2.0mm-3.2mm	LOOSE PIECE	130516-2
7	OBSOLETE	---	3.0mm-3.9mm	LOOSE PIECE	130516-1
		6	2.0mm-3.2mm	LOOSE PIECE	130516
APPROVALS		WIRE INSULATION DIA		PACKAGE TYPE	PART NO

AMP INCORPORATED CUSTOMER SERVICE SYSTEMS		MAX RECOMMENDED OPERATING TEMPERATURE: 105°C MAX	THIS DRAWING IS A CONTROLLED DOCUMENT.		DWN JR RUTH	OSNOV05	Tyco Electronics Corporation Harrisburg, PA 17105-3608					
FOR ADDITIONAL PRODUCT INFORMATION OR COPIES OF DRAWINGS AND TECHNICAL DOCUMENTS	PRODUCT INFORMATION CENTER 1-800-522-6752	VOLTAGE RATING: 300 V MAX	DIMENSIONS: MM INCHES:	TOLERANCES UNLESS OTHERWISE SPECIFIED:	CHK T. MICHELUTTI	OSNOV05	Tyco Electronics					
FOR APPLICATION	TOOLING ASSISTANCE CENTER 1-800-722-1111	CIRCULAR MIL AREA: 0.26-1.65mm² [509-3,260] SOLID OR STRANDED		0 PLC ± 1 PLC ±0.2 2 PLC ± 3 PLC ± 4 PLC ±	APVD T. MICHELUTTI	OSNOV05	NAME					
TOOLING INFORMATION	1-800-722-1111		MATERIAL	FINISH	PRODUCT SPEC		TERMINAL, SPADE TONGUE, P.I.D.G. WIRE SIZE: 22-16 AWG					
FOR ORDER ENTRY	1-800-526-5142	THIS DRAWING IS A CONTROLLED DOCUMENT FOR AMP INCORPORATED. IT IS SUBJECT TO CHANGE AND THE CONTROLLING ENGINEERING ORGANIZATION SHOULD BE CONTACTED FOR THE LATEST REVISION.			APPLICATION SPEC		SIZE	CAGE CODE	DRAWING NO	RESTRICTED TO		
					WEIGHT		A3	00779	130516			
AMP 1470-19 REV 31MAR2000					CUSTOMER DRAWING		SCALE	4:1	SHEET	1 OF 1	REV	F2