

4

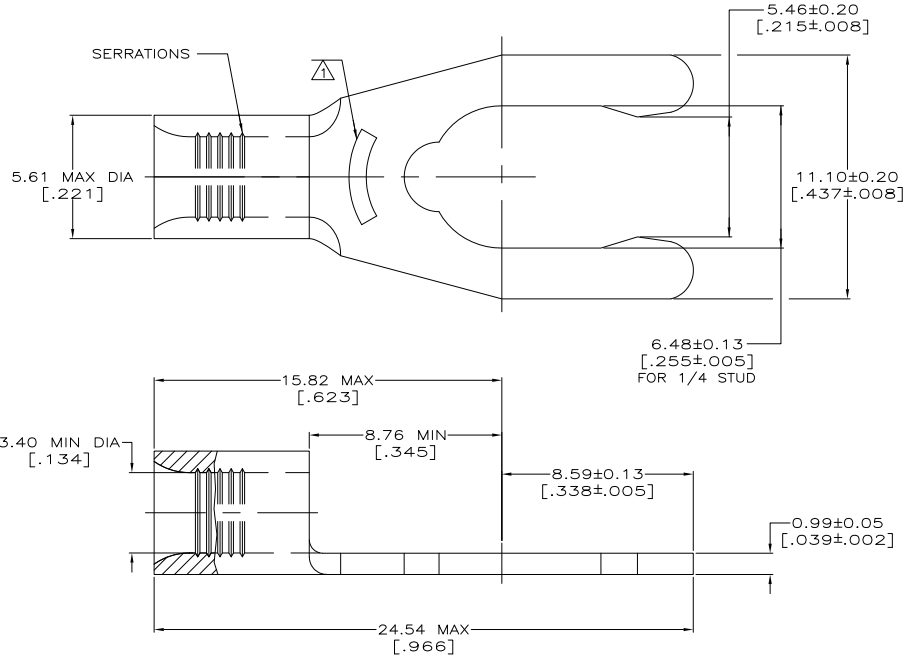
3

2

1

THIS DRAWING IS UNPUBLISHED. RELEASED FOR PUBLICATION
 © COPYRIGHT BY TYCO ELECTRONICS CORPORATION. ALL INTERNATIONAL RIGHTS RESERVED.

LOC	DIST	REVISIONS		
P	LTR	DESCRIPTION	DATE	BY
G	14			
	A1	REV PER EDR 10-013673	29JUN10	JR TM



AMP WIRE RANGE	UL Listed FILE E13288	LR7189 Certified
12-10 AWG STRANDED	12-10 AWG STRANDED	NOT CERTIFIED

- ① STAMP 1/4S AMP 12-10* APPROX AS SHOWN
1/4S INDICATES STUD SIZE
- ② PHOSPHOR BRONZE PER ASTM B-103, ANNEALED
- ③ TIN PLATE 0.00254 [.000100] MIN PER ASTM B545

52772-1
PART NO.

MAX RECOMMENDED OPERATING TEMPERATURE: 170°C MAX VOLTAGE RATING: N/A CIRCULAR MIL AREA: 2.62-6.64mm² [5,190-13,100] STRANDED	THIS DRAWING IS A CONTROLLED DOCUMENT. DIMENSIONS: MM [INCHES] 	DESIGNER: J.A. BRINKMAN 2-16-93 CHK: J.A. PATTERSON 2-16-93 APP: J.L. MECKLEY 2-16-93 PRODUCT SPEC: APPLICATION SPEC: WEIGHT:	Tyco Electronics Tyco Electronics Corporation Harrisburg, PA 17105-3608 TERMINAL, LONG SPRING SPADE, BUDGET SIZE: A2 CAGE CODE: 00779 DRAWING NO: C=52772 RESTRICTED TO:
MATERIAL: - ② FINISH: - ③	CUSTOMER DRAWING	SCALE: 8:1 SHEET: 1 of 1 REV: A1	