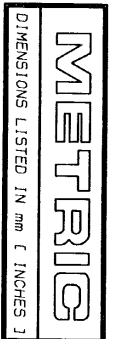
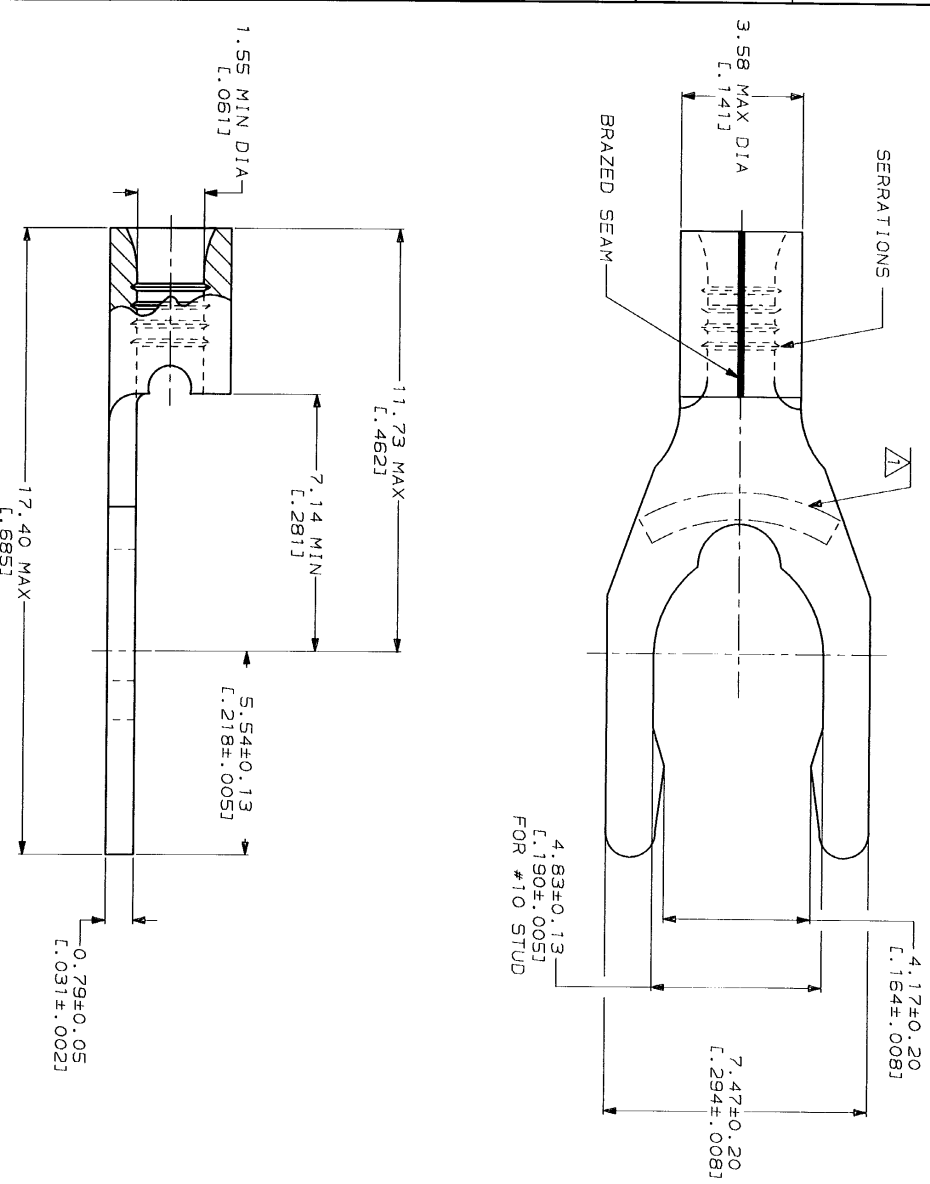


REV	DATE	BY	DESCRIPTION
1	3-29-93	14	REV & REDRAWN PER 0720-0040-93



AMP WIRE RANGE	UL E13286 Listed
22-16 AWG SOLID OR STRANDED	22-16 AWG SOLID OR STRANDED
UL L7189 Certified	MILITARY P/N AND CLASS
22-16 AWG SOLID OR STRANDED	NOT APPLICABLE

△ STAMP 105 AMP 22-18* APPROX AS SHOWN
22-16 TERMINALS ARE STAMPED 22-18 IN
ACCORDANCE WITH MILITARY SPECIFICATION
MIL-T-7928, COMMERCIAL WIRE RANGE IS 22-16
105 INDICATES STUD SIZE



**AMP INCORPORATED
CUSTOMER SERVICE SYSTEMS**

FOR ADDITIONAL PRODUCT INFORMATION OR COPIES OF DRAWINGS AND TECHNICAL DOCUMENTS	PRODUCT INFORMATION CENTER 1-800-522-6752
FOR APPLICATION TOOLING INFORMATION	TOOLING ASSISTANCE CENTER 1-800-722-1111
FOR ORDER ENTRY	1-800-526-5142

MAX RECOMMENDED OPERATING TEMPERATURE:	170°C MAX
VOLTAGE RATING:	NOT APPLICABLE
WIRE CROSS SECTIONAL AREA RANGE:	0.26-1.65mm ² (509-3,280) CIR MILLS

DO NOT SCALE PRINT. UNLESS SPECIFIED DIMENSIONS IN mm - FINISHES TO BE INDICATED ON 3 P.C. DEC ± ANGLES	DR 3-29-93 TA BRINKMAN CHK 3-29-93 DA PATTERSON APPD 3-29-93 DE MILLER APPD 3-29-93 JL MECKLEY PRODUCT SPEC
FINISH TIN PLATE 0.00254 (.000100) MIN THK PER MIL-T-10727	APPLICATION SPEC

QUANTITY	5000	ON TAPE	53832-2
	---	LOOSE PIECE	53832-1
PACKAGING TYPE		PART NO	
NAME	AMP AMP Incorporated Harrisburg, PA 17105-3608		
TERMINAL, SHORT SPRING SPADE, SOLI STRAND™	SIZE	CAGE CODE	DRAWING NO
	①	00779	①=53832
	SCALE	10:1	SHEET
			1 OF 1