

4

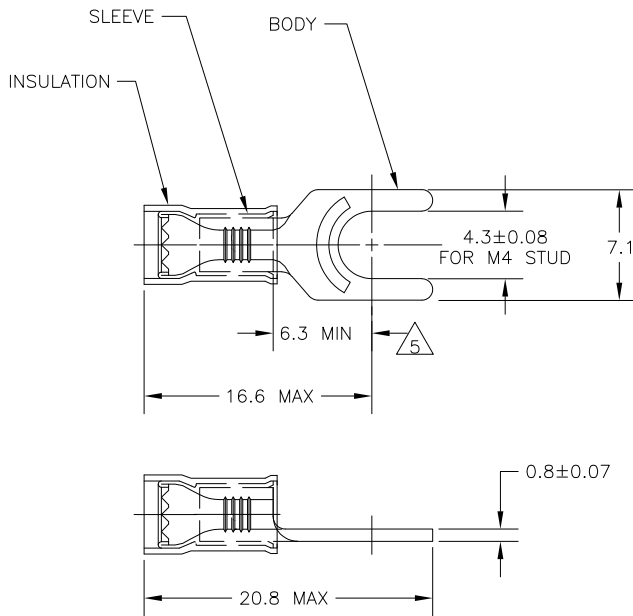
3

2

1

THIS DRAWING IS UNPUBLISHED. RELEASED FOR PUBLICATION  
 © COPYRIGHT - By - ALL RIGHTS RESERVED.

LOC	DIST	REVISIONS			
P	LTR	DESCRIPTION	DATE	DWN	APVD
F2		REVISED PER ECO-11-004917	11MAR11	RK	HMR



<b>AMP</b> WIRE RANGE	Listed
22-16 AWG SOLID OR STRANDED	22-16 AWG SOLID OR STRANDED

- 1 STAMP "AMP 22-16\*", APPROX AS SHOWN
- 2 WIRE INSULATION DIA: 2.7mm-3.6mm
- 3 BODY & SLEEVE: TIN PLATE PER ASTM B545,
- 4 BODY & SLEEVE- CU PER ASTM B152  
INSULATION - NYLON, COLOR - RED
- 5 APPLIES FROM EDGE OF METAL WIRE BARREL TO CENTER OF STUD HOLE.

ON TAPE, REEL	2-130517-1
LOOSE PIECE	130517
PACKAGE TYPE	PART NO

<b>AMP INCORPORATED</b> <b>CUSTOMER SERVICE SYSTEMS</b>		MAX RECOMMENDED OPERATING TEMPERATURE: 105°C MAX	THIS DRAWING IS A CONTROLLED DOCUMENT.		DWN JR RUTH OSNOVOS CHK T MICHIELUTTI OSNOVOS APVD T MICHIELUTTI OSNOVOS				
FOR ADDITIONAL PRODUCT INFORMATION OR COPIES OF DRAWINGS AND TECHNICAL DOCUMENTS 1-800-522-6752	PRODUCT INFORMATION CENTER 1-800-522-6752	VOLTAGE RATING: 300 V MAX	DIMENSIONS: mm INCHES:	TOLERANCES UNLESS OTHERWISE SPECIFIED: 0 PLC ± - 1 PLC ± 0.2 2 PLC ± - 3 PLC ± - 4 PLC ± - ANGLES ± -	NAME TERMINAL, SPADE TONGUE, P.I.D.G. WIRE SIZE: 22-16 AWG	SIZE A3	CAGE CODE 00779	DRAWING NO C-130517	RESTRICTED TO -
FOR APPLICATION TOOLING INFORMATION 1-800-722-1111	TOOLING ASSISTANCE CENTER 1-800-722-1111	CIRCULAR MIL AREA: 0.26-1.65mm² [509-3,260] SOLID OR STRANDED	MATERIAL 4	FINISH 3	WEIGHT -	SCALE 4:1	SHEET 1 OF 1	REV F2	CUSTOMER DRAWING

1470-19 (3/11)