

4

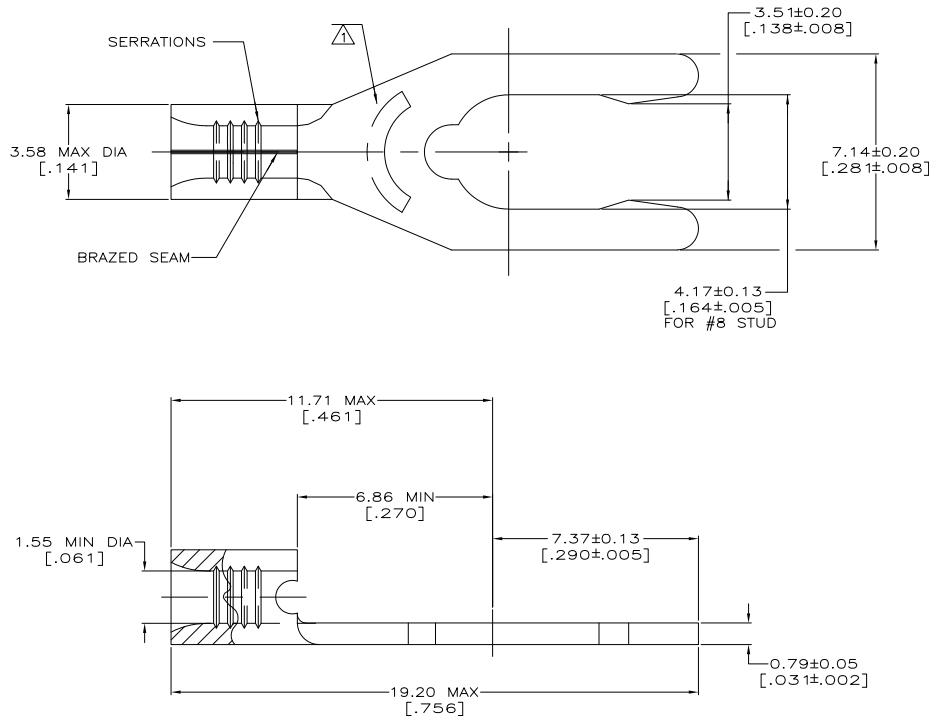
3

2

1

THIS DRAWING IS UNPUBLISHED. RELEASED FOR PUBLICATION
 © COPYRIGHT BY TYCO ELECTRONICS CORPORATION. ALL INTERNATIONAL RIGHTS RESERVED.

LOC		DIBT		REVISIONS			
P	LR	DESCRIPTION	DATE	BY	APP'D		
G	14	E	REV PER ECR 09-026308	09DEC09	JR	TM	



AMP WIRE RANGE	Listed FILE E13288	LR7189 Certified
22-16 AWG SOLID OR STRANDED	22-16 AWG SOLID OR STRANDED	22-16 AWG SOLID OR STRANDED

- ⚠ STAMP 8S AMP 22-18* APPROX AS SHOWN
22-16 TERMINALS ARE STAMPED 22-18 IN
ACCORDANCE WITH MILITARY SPECIFICATION
MIL-T-7928; COMMERCIAL WIRE RANGE IS 22-16
8S INDICATES STUD SIZE
- ⚠ PHOSPHOR BRONZE PER ASTM B-103, ANNEALED
- ⚠ TIN PLATE 0.00254 [.000100] MIN THK PER ASTM B545

100	LOOSE PIECE, BOX	8-52710-1
5000	ON TAPE	52710-2
---	LOOSE PIECE	52710-1
QTY	PACKAGE TYPE	PART NO.

AMP INCORPORATED CUSTOMER SERVICE SYSTEMS		MAX RECOMMENDED OPERATING TEMPERATURE: 170°C MAX	THIS DRAWING IS A CONTROLLED DOCUMENT. DIMENSIONS: MM (INCHES)		3-29-93 TA BRINKMAN 3-29-93 DA PATTERSON 3-29-93 JIL MECKLEY 3-29-93	Tyco Electronics Corporation Harrisburg, PA 17105-3608
FOR ADDITIONAL COPIES OF DRAWINGS AND TECHNICAL DOCUMENTS	PRODUCT INFORMATION CENTER 1-800-522-6752	VOLTAGE RATING: N/A	0 PLC 1 PLC 2 PLC 3 PLC 4 PLC	OTHER DIMENSIONS AS SHOWN	PRODUCT SPEC	TERMINAL, LONG SPRING SPADE, SOLISTRAND
FOR APPLICATION	TOOLING ASSISTANCE CENTER 1-800-722-1111	CIRCULAR MIL AREA: 0.26-1.65mm ² (509-3260) SOLID OR STRANDED	MATERIAL - ⚠	FINISH - ⚠	APPLICATION SPEC	SIZE CASE CODE DRAWING NO A2 00779 C-52710
FOR ORDER ENTRY	1-800-526-5142	THIS DRAWING IS A CONTROLLED DOCUMENT FOR AMP INCORPORATED. IT IS SUBJECT TO THE TERMS AND CONDITIONS OF THE CONTROLLING AGREEMENT. SHOULD BE CONTACTED FOR THE LATEST REVISION.	CUSTOMER DRAWING	SCALE 10:1	SHEET 1 of 1	REV E

1471-9 (1/08)

52710

A