

4

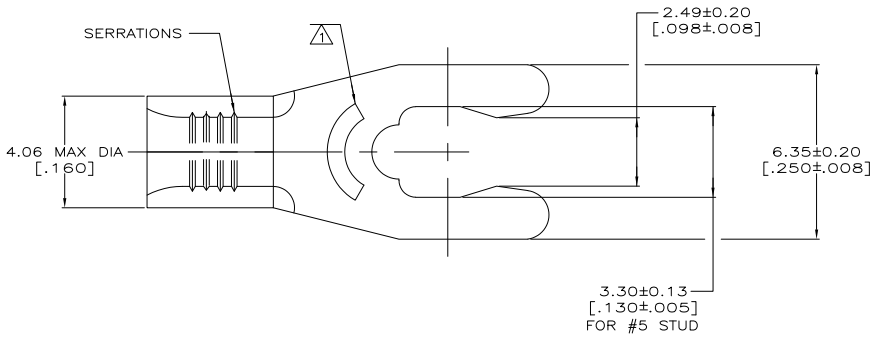
3

2

1

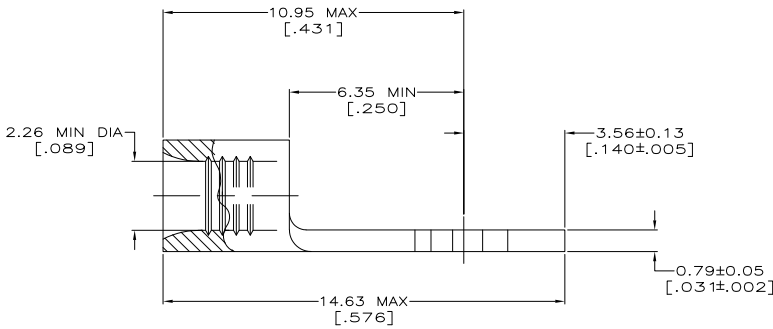
THIS DRAWING IS UNPUBLISHED. RELEASED FOR PUBLICATION
 BY TYCO ELECTRONICS CORPORATION. ALL INTERNATIONAL RIGHTS RESERVED.

LOC		DIST		REVISIONS			
		P	LR	DESCRIPTION	DATE	BY	APPD
G	14	A1		REDRAWN PER EDR 10-006147	23MAR10	JR	TM



AMP WIRE RANGE	Listed FILE E13288	LR7189 Certified
16-14 AWG STRANDED	16-14 AWG STRANDED	NOT CERTIFIED

- STAMP 5S AMP 16-14* APPROX AS SHOWN 5S INDICATES STUD SIZE
- PHOS BRONZE PER ASTM B103, ANNEALED
- TIN PLATE 0.00254 [.000100] MIN THK PER ASTM B545



53009-1
PART NO.

CUSTOMER SERVICE SYSTEMS		MAX RECOMMENDED OPERATING TEMPERATURE: 170°C MAX	THIS DRAWING IS A CONTROLLED DOCUMENT.		DR. TA. BRINKMAN 2-12-93 OK. DA. PATTERSON 2-12-93 DA. J.L. MECKLEY 2-12-93 NAME: _____ PRODUCT SPEC: _____ APPLICATION SPEC: _____ HEIGHT: _____	Tyco Electronics Corporation Harrisburg, PA 17105-3608
FOR ADDITIONAL PRODUCT INFORMATION OR COPIES OF DRAWINGS AND TECHNICAL DOCUMENTS	PRODUCT INFORMATION CENTER 1-800-522-6752	VOLTAGE RATING: N/A	DIMENSIONS: MM [INCHES]	0 PLC # - 1 PLC # - 2 PLC # - 3 PLC # - 4 PLC # - ANGLES # -	SIZE: _____ CASE CODE: _____ DRAWING NO: _____ A2 00779 C=53009	RESTRICTED TO: _____
FOR APPLICATION	TOOLING ASSISTANCE CENTER 1-800-722-1111	CIRCULAR MIL AREA: 1.04-2.62mm ² (2.050-5.180) STRANDED	MATERIAL:	FINISH:	CUSTOMER DRAWING	SCALE: 10:1 SHEET 1 of 1 REV A1
FOR ORDER ENTRY	1-800-526-5142	THIS DRAWING IS A CONTROLLED DOCUMENT FOR AMP AND THE CONTROLLING ENGINEERING ORGANIZATION SHOULD BE CONTACTED FOR THE LATEST REVISION.				

1471-9 (1/08)

53009

A