

4

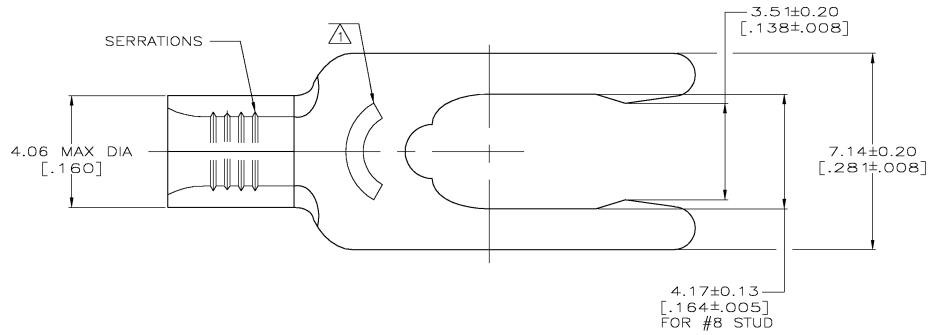
3

2

1

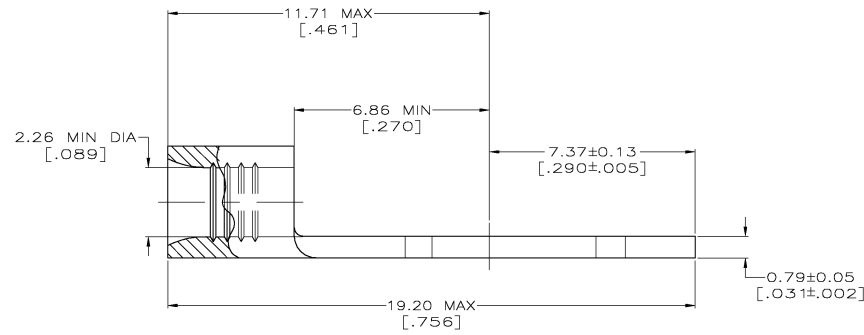
THIS DRAWING IS UNPUBLISHED. RELEASED FOR PUBLICATION. BY TYCO ELECTRONICS CORPORATION. ALL RIGHTS RESERVED.

LOC	DIST	REVISIONS					
G	14	P	LTR	DESCRIPTION	DATE	MIN	APPROV
		D		REV PER 063A-0305-03	20MAY03	JR	MS



AMP WIRE RANGE	Listed FILE E13286	LR7189 Certified
16-14 AWG STRANDED	16-14 AWG STRANDED	NOT CERTIFIED

- 1 STAMP 8S AMP 16-14* APPROX AS SHOWN 8S INDICATES STUD SIZE
- 2 PHOSPHOR BRONZE PER ASTM B-103 ANNEALED
- 3 0.00254 [.000100] MIN TIN PLATE PER ASTM B-545
- 4 PRELIMINARY - NOT FOR PRODUCTION



5000	ON TAPE	4 52704-3
-	LOOSE PIECE	52704-1
QTY	PACKAGE TYPE	PART NO

AMP INCORPORATED CUSTOMER SERVICE SYSTEMS	
FOR ADDITIONAL COPIES OF DRAWINGS AND TECHNICAL DOCUMENTS	PRODUCT INFORMATION CENTER 1-800-522-6752
FOR APPLICATION	TOOLING ASSISTANCE CENTER 1-800-722-1111
FOR ORDER ENTRY	1-800-526-5142

MAX RECOMMENDED OPERATING TEMPERATURE: 170° C	VOLTAGE RATING: N/A	CIRCULAR MIL AREA: 1.04-2.62mm² [2.050-5.180] STRANDED
--	------------------------	--

THIS DRAWING IS A CONTROLLED DOCUMENT.	
DIMENSIONS: MM (INCHES)	TOLERANCES UNLESS OTHERWISE SPECIFIED:
0 PLG ± .01	1 PLG ± .01
2 PLG ± .01	3 PLG ± .01
4 PLG ± .01	ANGLES ± .01
MATERIAL: - 2	FINISH: - 3

DRG: TA BRINKMAN 2-15-93	OK: DA PATTERSON 2-15-93	AMP: JLL MCKELEY 2-15-93	DATE: 2-15-93
Tyco Electronics Corporation Harrisburg, PA 17105		TERMINAL, LONG SPRING SPADE, BUDGET	
SHEET: A2	CASE CODE: 00779	DRAWING NO: 52704	RESTRICTED TO: -
CUSTOMER DRAWING		SCALE: 10:1	SHEET: 1 OF 1 REV: D

AMP 1421-9 REV 31 MAR 2000

H:\dml\ecmod\

52704

A