

4

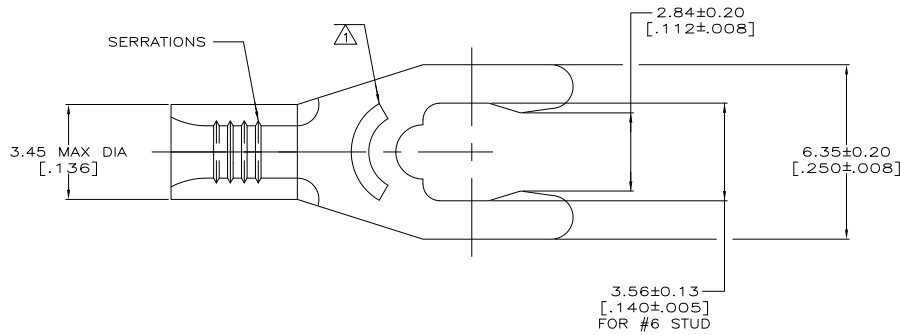
3

2

1

THIS DRAWING IS UNPUBLISHED. RELEASED FOR PUBLICATION
 © COPYRIGHT BY TYCO ELECTRONICS CORPORATION. ALL INTERNATIONAL RIGHTS RESERVED.

LOC		DIBT		REVISIONS			
		P	LTR	DESCRIPTION	DATE	BY	APPD
G	14	B1		REDRAWN PER EDR 10-006147	23MAR10	JR	TM

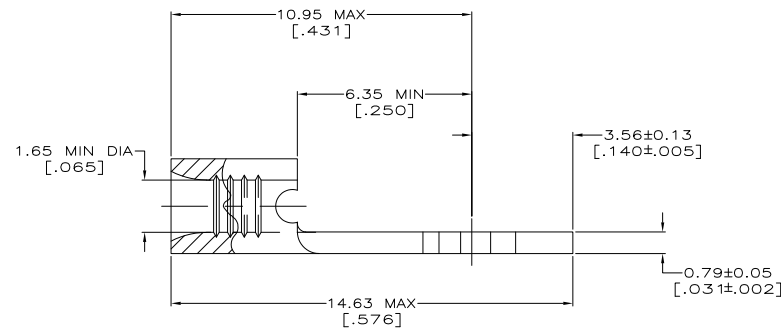


WIRE RANGE	Listed FILE E13288	LR7189 Certified
22-16 AWG STRANDED	22-16 AWG STRANDED	NOT CERTIFIED

1 STAMP 6S AMP 22-18* APPROX AS SHOWN
 22-16 TERMINALS ARE STAMPED 22-18 IN
 ACCORDANCE WITH MILITARY SPEC SAE-AS7928
 COMMERCIAL WIRE RANGE IS 22-16
 6S INDICATES STUD SIZE

2 PHOS BRONZE PER ASTM B103, ANNEALED

3 TIN PLATE 0.00254 [.000100] MIN THK PER
 ASTM B545



53006-1
 PART NO.

CUSTOMER SERVICE SYSTEMS		MAX RECOMMENDED OPERATING TEMPERATURE: 170°C MAX	THIS DRAWING IS A CONTROLLED DOCUMENT.		DR. TA. BRINKMAN 2-11-93 OK. J.A. PATTERSON 2-11-93 JUL. MECKLEY 2-11-93	Tyco Electronics Corporation Harrisburg, PA 17105-3608	
FOR ADDITIONAL PRODUCT INFORMATION OR COPIES OF DRAWINGS AND TECHNICAL DOCUMENTS	PRODUCT INFORMATION CENTER 1-800-522-6752	VOLTAGE RATING: N/A	DIMENSIONS: mm (INCHES)	TOLERANCES UNLESS OTHERWISE SPECIFIED:	NAME	TERMINAL, SHORT SPRING SPADE, BUDGET	RESTRICTED TO
FOR APPLICATION	TOOLING ASSISTANCE CENTER 1-800-722-1111	CIRCULAR MIL AREA: 0.26-1.65mm ² (500-3260) STRANDED	0 PLC ± . 1 PLC ± . 2 PLC ± . 3 PLC ± . 4 PLC ± . ANGLES ± .	FINISH	APPLICATION SPEC	SIZE CASE CODE DRAWING NO	RESTRICTED TO
FOR ORDER ENTRY	1-800-526-5142	MATERIAL		FINISH	HEIGHT	A2 00779 C=53006	SCALE 10:1 SHEET 1 of 1 REV B1

1471-9 (1/08)

53006

A